

Department of Engineering
Tim Bryan, P.E., County Engineer

3137 South Liberty Street, Canton, MS 39046
Office (601) 790-2525 FAX (601) 859-3430

MEMORANDUM

June 22, 2023

To: Sheila Jones, Supervisor, District I
Trey Baxter, Supervisor, District II
Gerald Steen, Supervisor, District III
Karl Banks, Supervisor, District IV
Paul Griffin, Supervisor, District V

From: Tim Bryan, P.E., PTOE
County Engineer

Re: Comcast Cable Utility Permit
County Road Name, Brooks Road, Sharon Road, Moss Road, Robinson Road, and Willie Burell Drive

The Engineering Department recommends approval of the permit application for Comcast Cable is attaching 48 CT fiber to existing poles, boring and installing 2" HDPE to pull 48 CT and 24 CT fiber within the right-of-way owned by the County including the listed roads below.

- Brooks Road
- Sharon Road
- Moss Road
- Robinson Road
- And Willie Burell Drive

Revised: 2/14/2019



PERMIT APPLICATION FOR THE CONSTRUCTION OR ADJUSTMENT OF A UTILITY WITHIN COUNTY ROAD RIGHT-OF-WAY

Utility Information: Utility Name: COMCAST CABLE

Address: 3425 Malone Drive City/State/Zip: Chamblee/ GA/ 30-341

Contact Person: Linda Taibl Contact's Phone:

Project Information: County Road Name: Brooks Rd, Sharon Rd, Old Mississippi 16, Robinson Rd, Moss Rd, Willie Burell Dr

(If located within more than one road right-of-way, use Appendix 1 for additional descriptions)

Beginning Location: 32.645609, -89.935625 Ending Location: 32.626338, -89.931442

Length of Project: 28464FT Section: 34 Township: 3 Range: 69

Description of Work: COMCAST IS ATTACHING 48CT FIBER TO EXISTING POLES, BORING AND INSTALLING 2" HDPE TO PULL 48CT AND 24CT FIBER WITHIN THE RIGHT-OF-WAY OWNED BY THE COUNTY.

TOTAL INSTALLATION LENGTH IN ROW: 28464FT

Check Box if Appendix 1 is to be included as a part of this Application

Whereas the above stated Utility makes application to the Madison County Board of Supervisors for a Construction Permit. Attached hereto are drawings and plans for the construction of the above facilities located within Madison County owned public rights-of-way. Once stamped by the Madison County Engineering Department, these plans shall not be changed or altered without written approval of the County Engineer, or his representative. A copy of the approved permit and plans shall be on-site at all times during construction.

The Applicant Utility shall comply with all policies, procedures and construction practices as outlined in A Policy for The Accommodation of Utility Facilities within the Right-of-Way of all Public County Roads (hereinafter referred to as the "Policy"), as adopted on November 1, 2005, by the Madison County Board of Supervisors, and which is hereby made a part of this Application Agreement.

If facilities are to be located within the Rights-of-Way of the County-Federal or State Aid System, Applicant Utility also agrees to comply with applicable provisions of S.O.P. No. SA II-2-8, Accommodation of Utilities on Rights-of-Way, issued by the State Aid Engineer and dated July 1, 2005.

The Applicant Utility understands and agrees that, except as herein granted, no right, title, claim, or easement to said road right-of-way is granted by the issuance of this permit. If this Utility is listed in the general provisions of the Policy, it will be adjusted to comply with same without cost to the County, unless the variance from the Policy has been approved by the granting of the Permit pursuant to this Application.

The Applicant Utility further understands that the Utility's engineering, plant, or other personnel will be responsible for the staking and construction supervision of the work set out above and as shown on the attached plans. If work impacts traffic in any way, the appropriate traffic control shall be installed per the Manual of Uniform Traffic Control Devices, Latest Edition.

The Applicant Utility understands that the County Engineer, or his representative, may issue a Stop Work Order at any time if it is deemed that site conditions are not suitable for construction or if any of the requirements of this permit are not being met.

Many County Roads have variable Rights-of-Way and/or no Right-of-Way at all and are maintained under a Prescriptive Easement. It is the sole responsibility of the Applicant Utility to verify the existence and limits of public rights-of-way. If none exists, it is the

responsibility of the Applicant Utility to acquire an easement for their Facilities from the applicable property owner(s). Madison County in no way verifies the limits of Right-of-Way as shown on the permit application.

The Applicant Utility shall be responsible for all future maintenance and repair of the facilities installed under this permit. The Applicant Utility shall make future adjustments to, or relocate, the facilities located within road or highway right-of-way when required for road or highway widening or other road or highway construction at no cost to Madison County. The Applicant Utility shall relocate said utilities within sixty (60) days of notification by County by registered mail, return receipt requested, unless otherwise designated by the County Engineer. Further, any maintenance, repair, or construction shall be done in such a manner as to occasion no unreasonable interference with the normal flow and safety to traffic and at the expense of the utility company. When reasonable care has been taken to locate said utility facilities within the right-of-way, the Applicant Utility understands that any damages caused by routine maintenance and construction by County forces shall be borne by the Applicant Utility.

The Applicant Utility further agrees to indemnify and hold Madison County harmless for any and all claims, accidents, damages, liabilities and expenses occasioned wholly, or in part, by any act or omission of applicant, its agents or employees. In case County shall, without fault on its own part, be made a party to any litigation commenced by or against applicant, then applicant shall protect and hold County harmless, and shall pay all costs, expenses and reasonable attorney's fees incurred or paid by County in connection with said litigation.

All underground facilities shall be installed at a depth equal to or greater than 48" below the lowest adjacent grade.

All pipes carrying liquid shall be encased under County maintained roads.

WITNESS the signature of the Applicant this the 19 day of 06, 2023.

By: Linda Taibl
(Applicant Signature)

Title: Construction specialist

Note: Applicant must be an employee of the Utility named in this application. The Madison County Board of Supervisors will not recognize a Contractor, Subcontractor, Agent, or Consulting Engineer as the Applicant. Utility Company shall be fully responsible for all work performed under this application.

I, or my authorized representative, have reviewed this application and determined that the drawing, sketches, and plans submitted by the Applicant meet the requirements of A Policy for The Accommodation of Utility Facilities within the Right-of-Way of all Public County Roads.

By: **APPROVED**
By timothy.bryan at 12:17 pm, Jun 27, 2023
Tim Bryan, P.E. **BT**
County Engineer

AGREED TO AND APPROVED BY:

Madison County Board President

Date: _____

ENTERED INTO THE MINUTES OF THE BOARD OF SUPERVISORS OF MADISON COUNTY, MISSISSIPPI ON THIS _____ DAY OF _____, 20____.

Appendix 1

County Road Name: Brooks Rd
Beginning Location: 32.634717, -89.948034 Ending Location: 32.632949, -89.936278
Length of Project: 4078FT Section: 34 Township: 3 Range: 69
Description of Work: BORE AND INSTALL 2" HDPE TO PULL NEW 24CT FIBER
WITHIN THE WILLE BROOKS RD RIGHT-OF-WAY.

County Road Name: Sharon Rd
Beginning Location: 32.645609, -89.935625 Ending Location: 32.603780, -89.936297
Length of Project: 9229FT Section: 34 Township: 3 Range: 69
Description of Work: ATTACH NEW 48CT FIBER TO EXISTING POLES, BORE AND INSTALL
2" HDPE TO PULL NEW 48CT FIBER WITHIN THE SHARON RD RIGHT-OF WAY.

County Road Name: Moss Rd
Beginning Location: 32.603734, -89.950453 Ending Location: 32.603780, -89.936297
Length of Project: 3621FT Section: 34 Township: 3 Range: 69
Description of Work: ATTACH NEW 24CT FIBER TO EXISTING POLES, BORE AND INSTALL
2" HDPE TO PULL NEW 24CT FIBER WITHIN THE MOSS RD RIGHT-OF WAY.

County Road Name: Robinson Rd
Beginning Location: 32.618408, -89.951655 Ending Location: 32.618081, -89.922422
Length of Project: 9505FT Section: 34 Township: 3 Range: 69
Description of Work: ATTACH NEW 48CT FIBER TO EXISTING POLES, BORE AND INSTALL
2" HDPE TO PULL NEW 24CT AND 48CT FIBER WITHIN THE ROBINSON RD RIGHT-OF WAY.

County Road Name: Willie Burell Dr
Beginning Location: 32.630893, -89.931422 Ending Location: 32.626338, -89.931442
Length of Project: 2031FT Section: 34 Township: 3 Range: 69
Description of Work: BORE AND INSTALL 2" HDPE TO PULL NEW 24CT FIBER
WITHIN THE WILLE BURELL DR RIGHT-OF-WAY.


BEIGN OF THE PROJECT

32.6609, -89.935625

END OF THE PROJECT

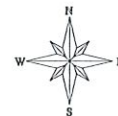
32.626338, -89.931442

PREPARED BY:



QUASAR, INC.

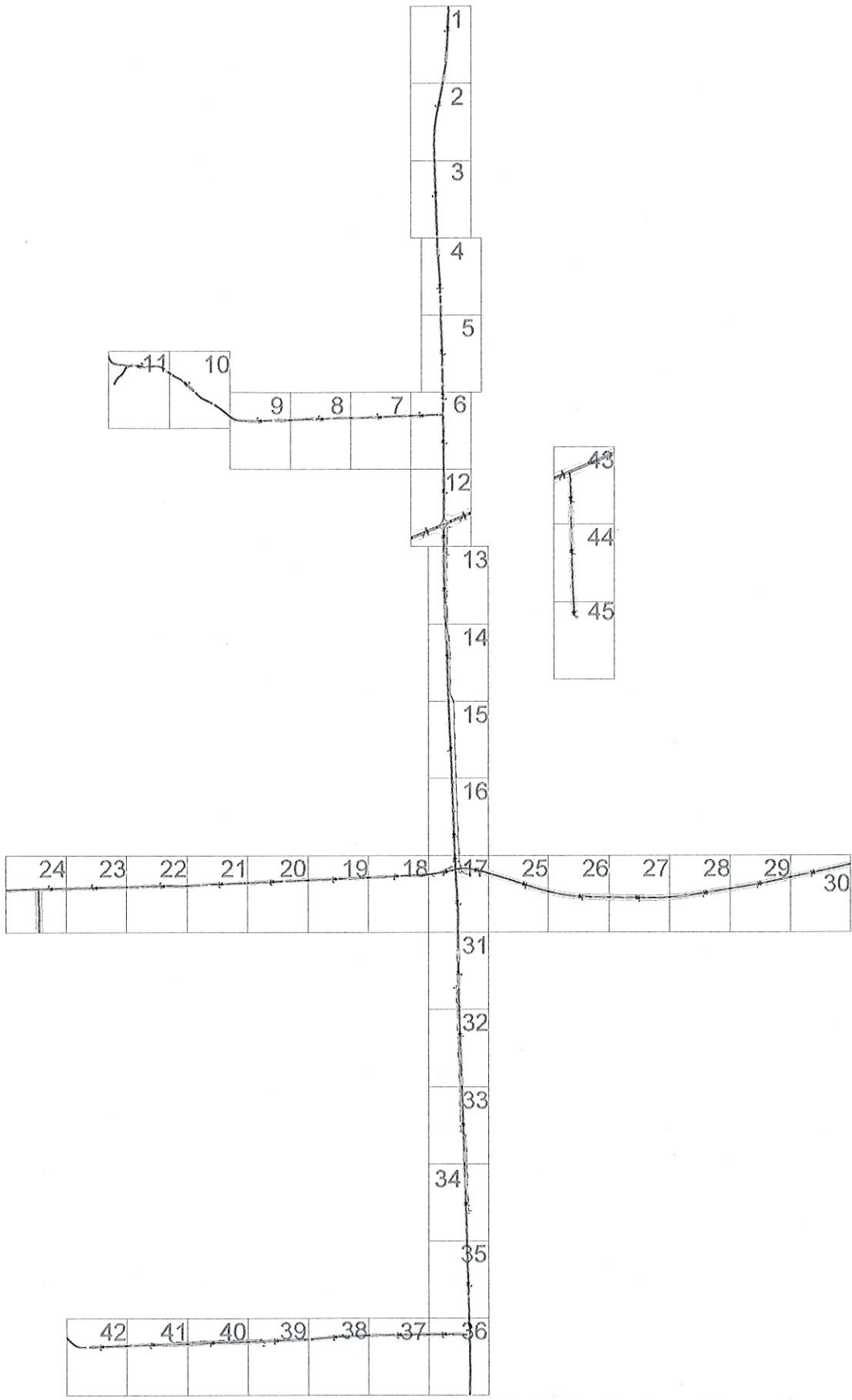
COMCAST IS ATTACHING FIBER TO EXISTING POLES,
BORING AND INSTALLING NEW CONDUIT WITHIN THE RIGHT-OF-WAY
OWNED BY THE COUNTY
TOTAL: 28 464ft



NO SCALE

ENGINEERED FOR:

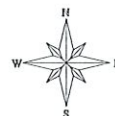




PREPARED BY:

COMCAST IS ATTACHING FIBER TO EXISTING POLES,
BORING AND INSTALLING NEW CONDUIT WITHIN THE RIGHT-OF-WAY
OWNED BY THE COUNTY
TOTAL: 28 464ft

ENGINEERED FOR:



NO SCALE

NO MATCH SHEET

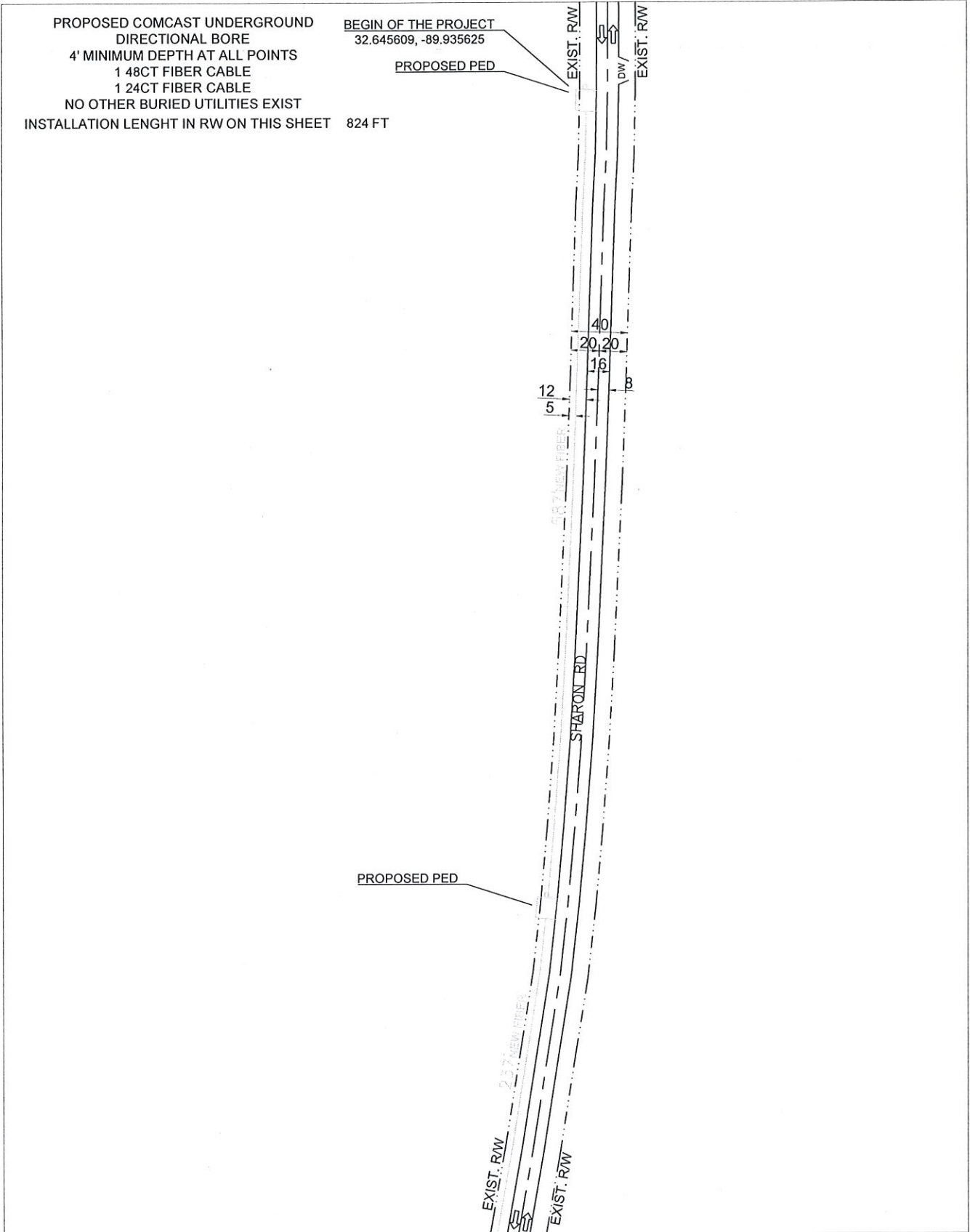
PROPOSED COMCAST UNDERGROUND
 DIRECTIONAL BORE
 4' MINIMUM DEPTH AT ALL POINTS
 1 48CT FIBER CABLE
 1 24CT FIBER CABLE
 NO OTHER BURIED UTILITIES EXIST
 INSTALLATION LENGTH IN RW ON THIS SHEET 824 FT

BEGIN OF THE PROJECT
 32.645609, -89.935625

PROPOSED PED

NO MATCH SHEET

NO MATCH SHEET



MATCH SHEET 2

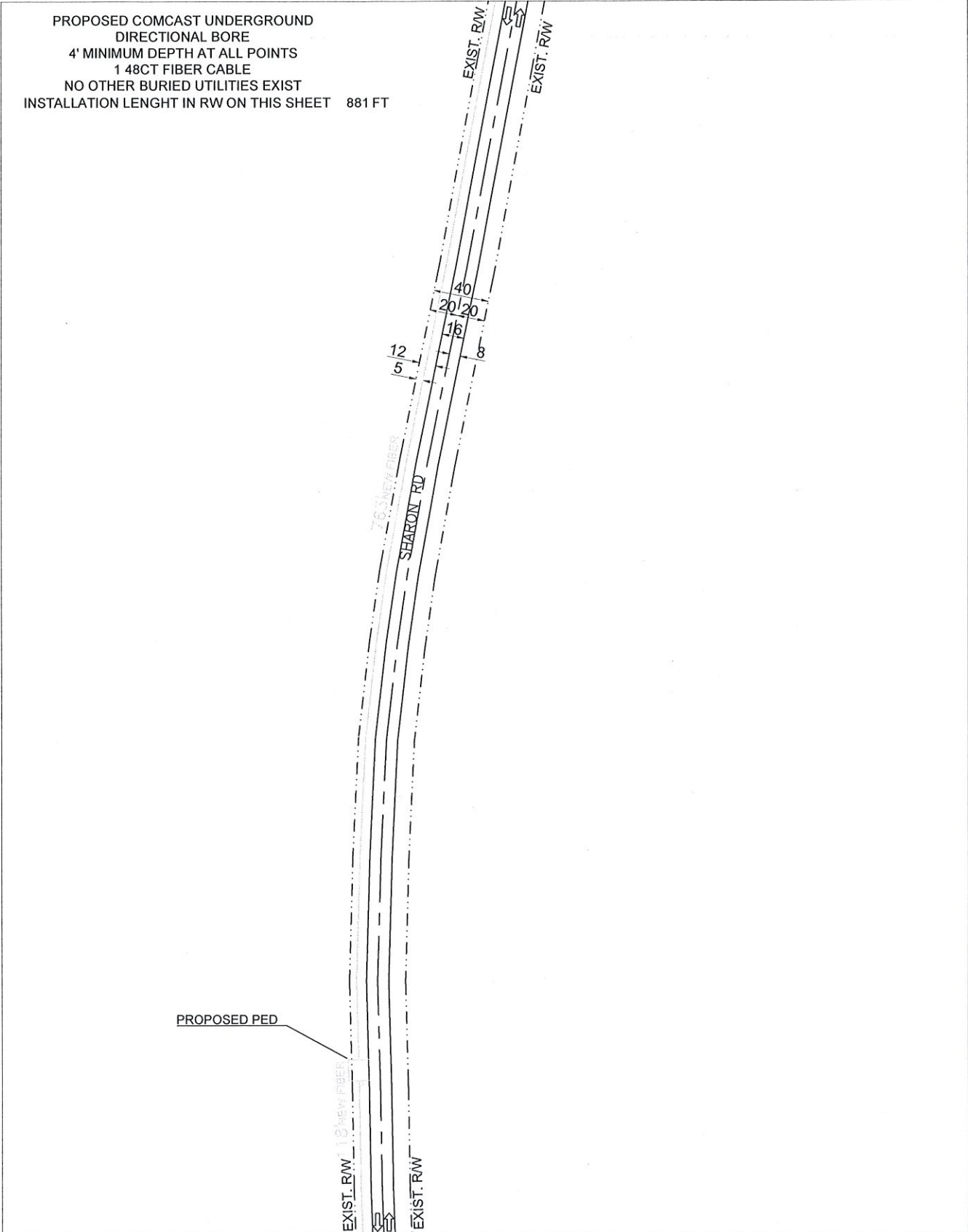
PREPARED BY: 	EXISTING POLE PROPOSED PEDESTAL PROPOSED VAULT WATER VALVE FIBER MARKER GAS MARKER MANHOLE SEWER MAIN/HOLE STORM DRAIN	RIGHT OF WAY LINE IRRIGATION LINE WATER LANE GAS LANE PROPOSED ANCHOR PROPOSED RISER	PROPOSED COAXIAL CABLE PROPOSED FIBER CABLE PROPOSED DIRECTIONAL BORE EXISTING CABLE		ENGINEERED FOR: 	MADISON COUNTY SHARON RD TRANSPORT FIBER
	LEGEND: RW - RIGHT OF WAY EOP - EDGE OF PAVEMENT DW - DRIVEWAY PDW - PAVED DRIVEWAY	NOTES: BORE HOLE TO BE FILLED SAME DAY VAULT HOLE TO BE FILLED SAME DAY ALL HOLE TO BE TAMPED AND SODDED	NO SCALE SHEET 1 OF 45			

MATCH SHEET 1

PROPOSED COMCAST UNDERGROUND
 DIRECTIONAL BORE
 4' MINIMUM DEPTH AT ALL POINTS
 1 48CT FIBER CABLE
 NO OTHER BURIED UTILITIES EXIST
 INSTALLATION LENGHT IN RW ON THIS SHEET 881 FT

NO MATCH SHEET

NO MATCH SHEET



MATCH SHEET 3

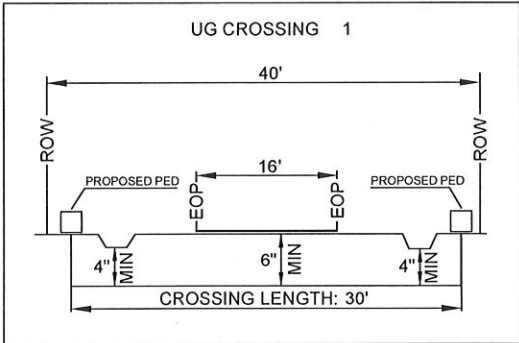
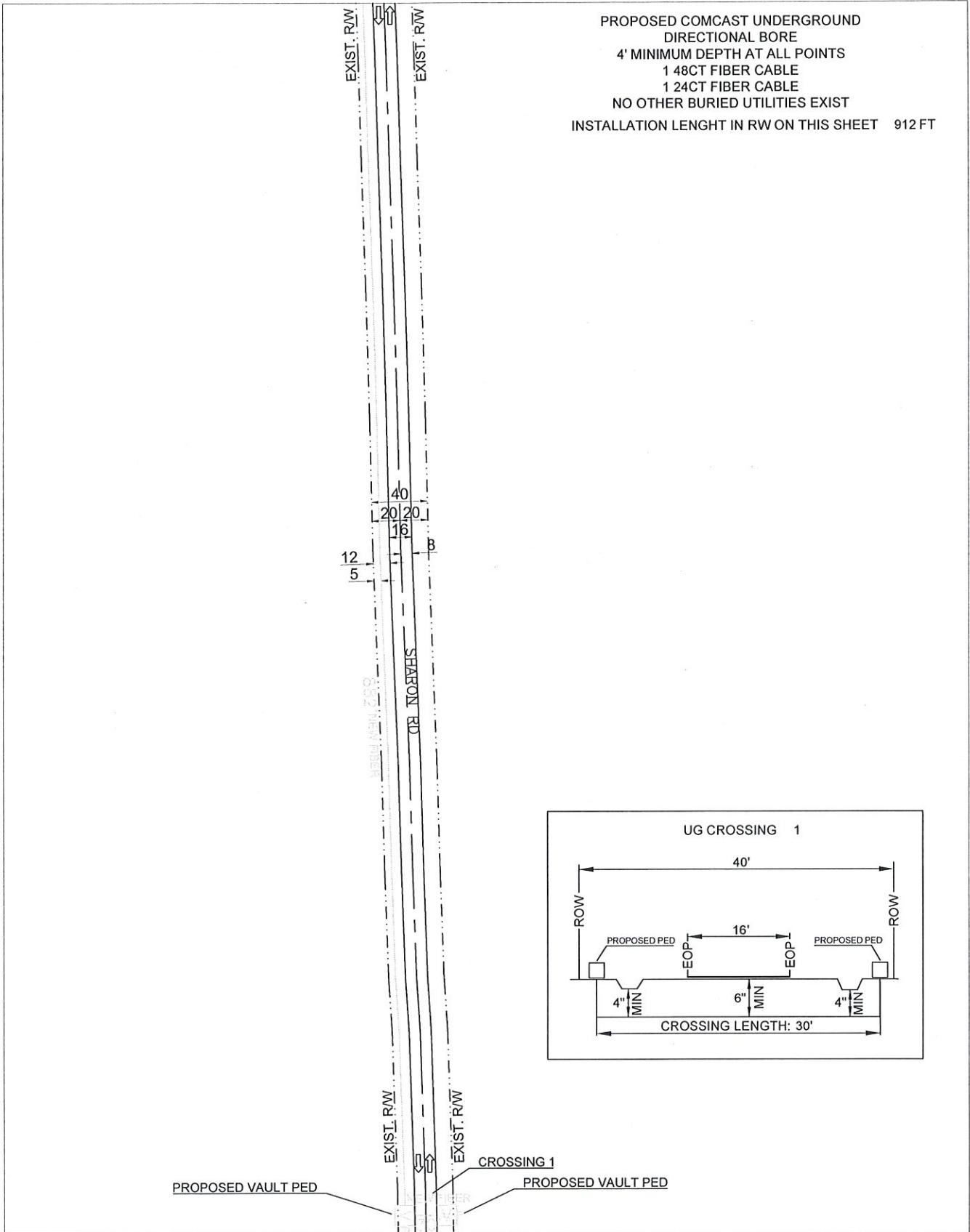
PREPARED BY: 	EXISTING POLE PROPOSED PEDESTAL PROPOSED VAULT WATER VALVE FIBER MARKER GAS MARKER MANHOLE SEWER MANHOLE STORM DRAIN	RIGHT OF WAY LINE IRRIGATION LINE WATER LINE GAS LAINE PROPOSED ANCHOR PROPOSED RISER	PROPOSED COAXIAL CABLE PROPOSED FIBER CABLE PROPOSED DIRECTIONAL BORE EXISTING CABLE		ENGINEERED FOR: 	MADISON COUNTY SHARON RD TRANSPORT FIBER
	LEGEND: RW - RIGHT OF WAY EOP - EDGE OF PAVEMENT DW - DRIVEWAY PDW - PAVED DRIVEWAY	NOTES: BORE HOLE TO BE FILLED SAME DAY VAULT HOLE TO BE FILLED SAME DAY ALL HOLE TO BE TAMPED AND SODDED	NO SCALE SHEET 2 OF 45			

MATCH SHEET 2

PROPOSED COMCAST UNDERGROUND
 DIRECTIONAL BORE
 4' MINIMUM DEPTH AT ALL POINTS
 1 48CT FIBER CABLE
 1 24CT FIBER CABLE
 NO OTHER BURIED UTILITIES EXIST
 INSTALLATION LENGTH IN RW ON THIS SHEET 912 FT

NO MATCH SHEET

NO MATCH SHEET

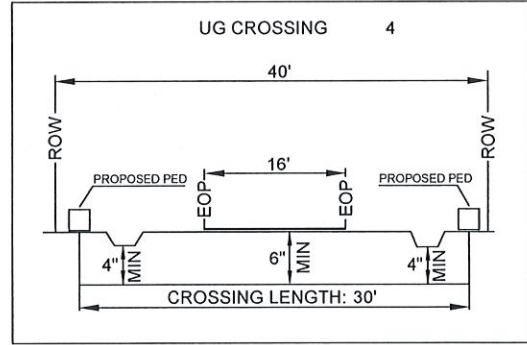
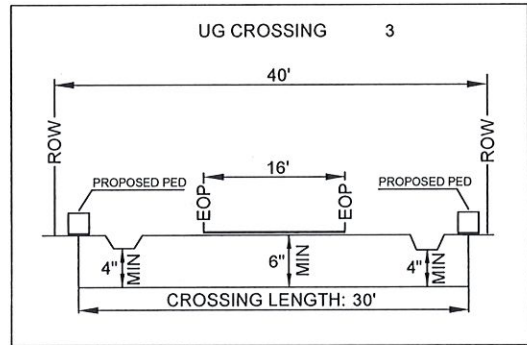
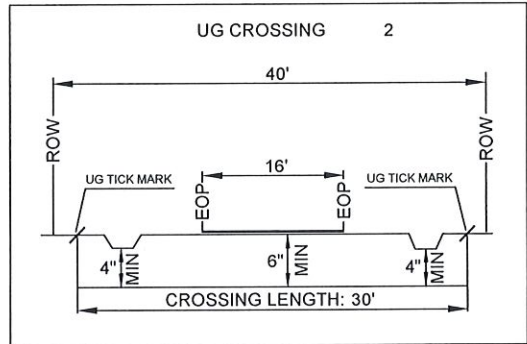
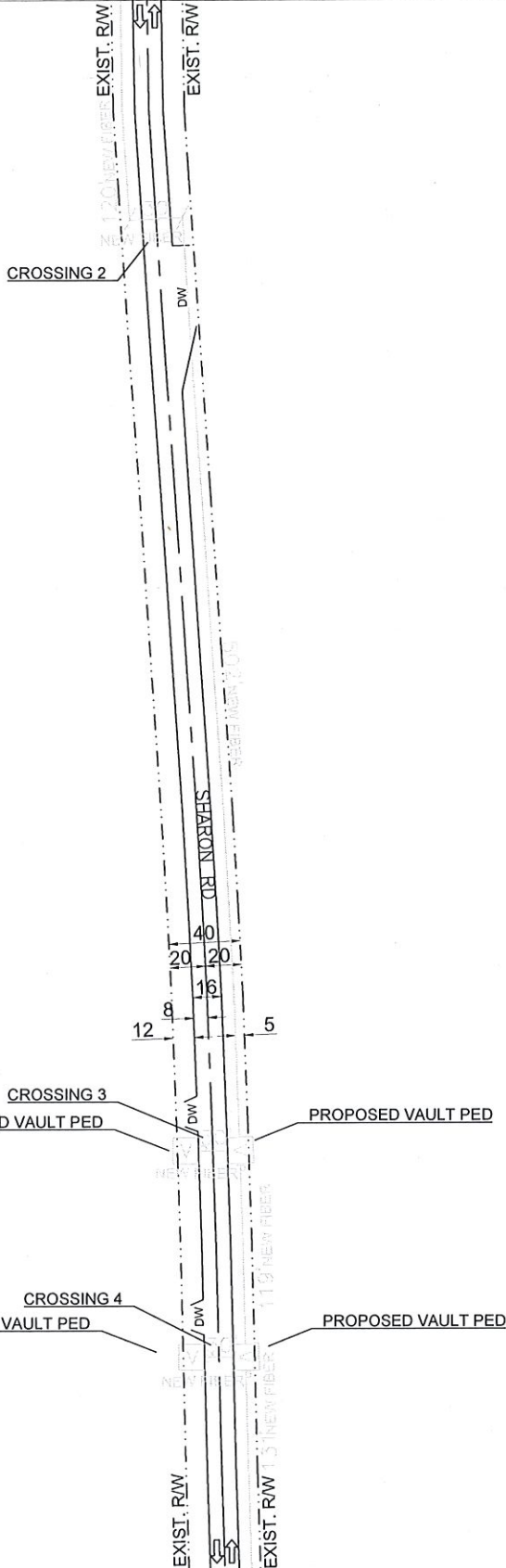


MATCH SHEET 4

PREPARED BY: 	EXISTING POLE PROPOSED PEDESTAL PROPOSED VAULT WATER VALVE FIBER MARKER GAS MARKER MANHOLE SEWER MAINHOLE STORM DRAIN	RIGHT OF WAY LINE IRRIGATION LINE WATER LANE GAS LANE PROPOSED ANCHOR PROPOSED RISER	PROPOSED COAXIAL CABLE PROPOSED FIBER CABLE PROPOSED DIRECTIONAL BORE EXISTING CABLE		ENGINEERED FOR: 	MADISON COUNTY SHARON RD TRANSPORT FIBER
	LEGEND: RW - RIGHT OF WAY EOP - EDGE OF PAVEMENT DW - DRIVEWAY PDW - PAVED DRIVEWAY	NOTES: BORE HOLE TO BE FILLED SAME DAY VAULT HOLE TO BE FILLED SAME DAY ALL HOLE TO BE TAMPED AND SODDED	NO SCALE SHEET 3 OF 45			

MATCH SHEET 3

PROPOSED COMCAST UNDERGROUND
 DIRECTIONAL BORE
 4' MINIMUM DEPTH AT ALL POINTS
 1 48CT FIBER CABLE
 1 24CT FIBER CABLE
 NO OTHER BURIED UTILITIES EXIST
 INSTALLATION LENGTH IN RW ON THIS SHEET 962 FT



NO MATCH SHEET

NO MATCH SHEET

MATCH SHEET 5

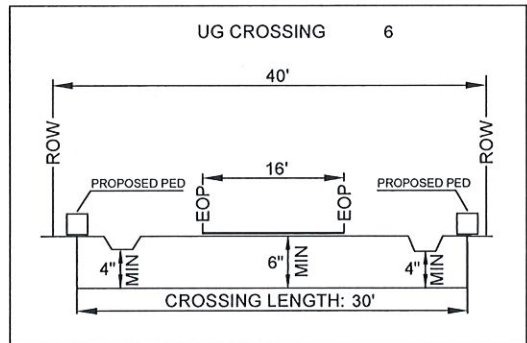
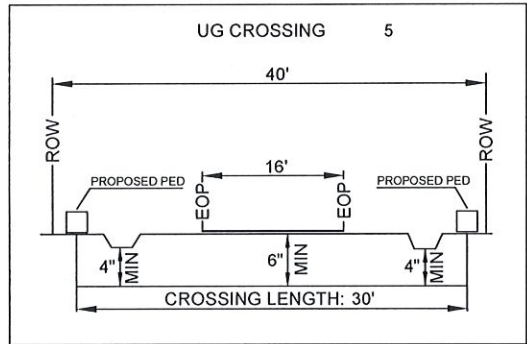
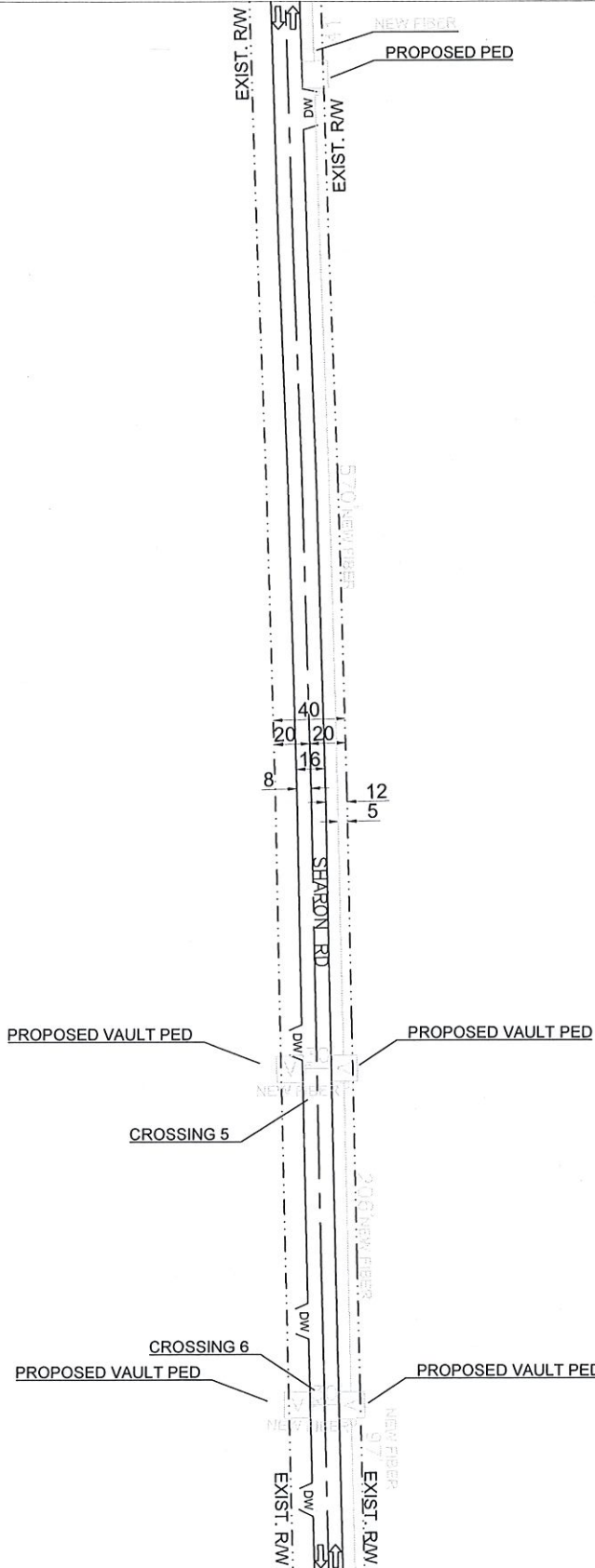
PREPARED BY: 	EXISTING POLE PROPOSED PEDESTAL PROPOSED VAULT WATER VALVE FIBER MARKER GAS MARKER MANHOLE SEWER MANHOLE STORM DRAIN	RIGHT OF WAY LINE IRRIGATION LINE WATER LANE GAS LANE PROPOSED ANCHOR PROPOSED RISER	PROPOSED COAXIAL CABLE PROPOSED FIBER CABLE PROPOSED DIRECTIONAL BORE EXISTING CABLE		ENGINEERED FOR: MADISON COUNTY SHARON RD TRANSPORT FIBER
	LEGEND: RW - RIGHT OF WAY EOP - EDGE OF PAVEMENT DW - DRIVEWAY PDW - PAVED DRIVEWAY	NOTES: BORE HOLE TO BE FILLED SAME DAY VAULT HOLE TO BE FILLED SAME DAY ALL HOLE TO BE TAMPED AND SODDED			NO SCALE SHEET 4 OF 45

MATCH SHEET 4

PROPOSED COMCAST UNDERGROUND
 DIRECTIONAL BORE
 4' MINIMUM DEPTH AT ALL POINTS
 1 48CT FIBER CABLE
 1 24CT FIBER CABLE
 NO OTHER BURIED UTILITIES EXIST
 INSTALLATION LENGTH IN RW ON THIS SHEET 974 FT

NO MATCH SHEET

NO MATCH SHEET



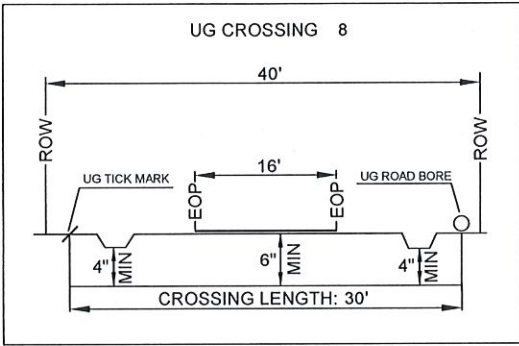
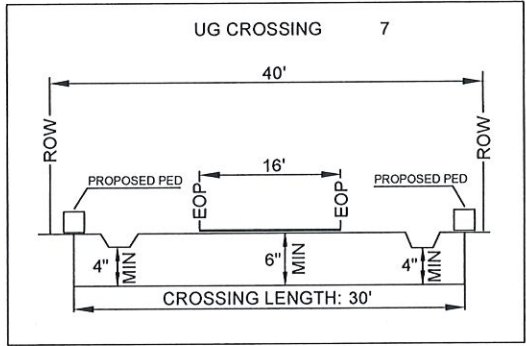
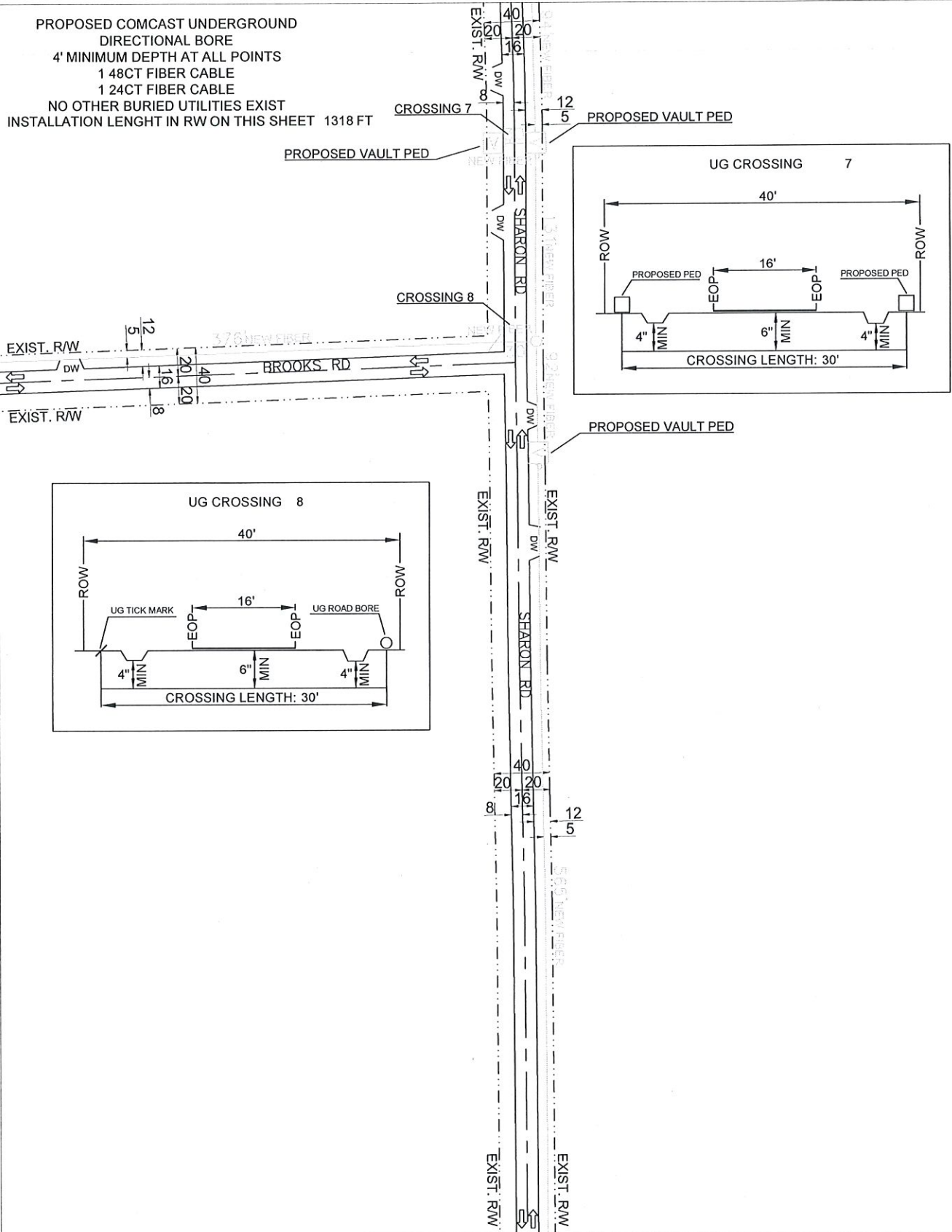
MATCH SHEET 6

PREPARED BY: 	EXISTING POLE PROPOSED PEDESTAL PROPOSED VAULT WATER VALVE FIBER MARKER GAS MARKER MANHOLE SEWER MAIN/HOLE STORM DRAIN	RIGHT OF WAY LINE IRRIGATION LINE WATER LANE GAS LANE PROPOSED ANCHOR PROPOSED RISER	PROPOSED COAXIAL CABLE PROPOSED FIBER CABLE PROPOSED DIRECTIONAL BORE EXISTING CABLE		ENGINEERED FOR: MADISON COUNTY SHARON RD TRANSPORT FIBER		NO SCALE	SHEET 5 OF 45
	LEGEND: RW - RIGHT OF WAY EOP - EDGE OF PAVEMENT DW - DRIVEWAY PDW - PAVED DRIVEWAY	NOTES: BORE HOLE TO BE FILLED SAME DAY VAULT HOLE TO BE FILLED SAME DAY ALL HOLE TO BE TAMPED AND SODDED						

MATCH SHEET 5

PROPOSED COMCAST UNDERGROUND
 DIRECTIONAL BORE
 4' MINIMUM DEPTH AT ALL POINTS
 1 48CT FIBER CABLE
 1 24CT FIBER CABLE
 NO OTHER BURIED UTILITIES EXIST
 INSTALLATION LENGTH IN RW ON THIS SHEET 1318 FT

MATCH SHEET 7



NO MATCH SHEET

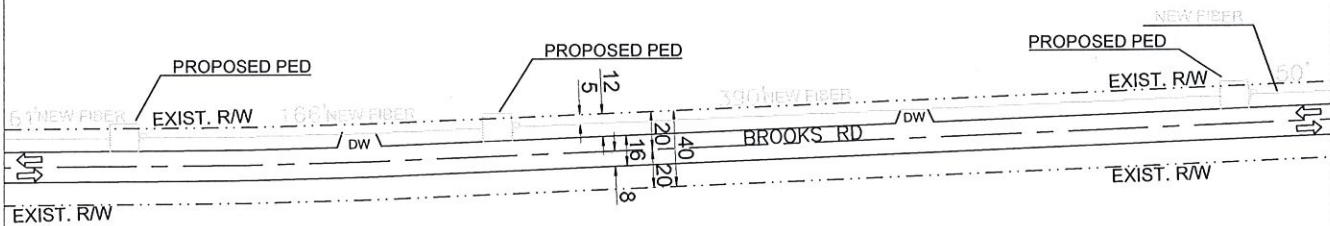
MATCH SHEET 12

PREPARED BY: 	<table border="0"> <tr> <td> <ul style="list-style-type: none"> EXISTING POLE PROPOSED PEDESTAL PROPOSED VAULT WATER VALVE FIBER MARKER GAS MARKER MANHOLE SEWER MANHOLE STORM DRAIN </td> <td> <ul style="list-style-type: none"> RIGHT OF WAY LINE IRRIGATION LINE WATER LANE GAS LANE PROPOSED ANCHOR PROPOSED RISER </td> <td> <ul style="list-style-type: none"> PROPOSED COAXIAL CABLE PROPOSED FIBER CABLE PROPOSED DIRECTIONAL BORE EXISTING CABLE </td> </tr> </table>	<ul style="list-style-type: none"> EXISTING POLE PROPOSED PEDESTAL PROPOSED VAULT WATER VALVE FIBER MARKER GAS MARKER MANHOLE SEWER MANHOLE STORM DRAIN 	<ul style="list-style-type: none"> RIGHT OF WAY LINE IRRIGATION LINE WATER LANE GAS LANE PROPOSED ANCHOR PROPOSED RISER 	<ul style="list-style-type: none"> PROPOSED COAXIAL CABLE PROPOSED FIBER CABLE PROPOSED DIRECTIONAL BORE EXISTING CABLE 		ENGINEERED FOR: 	MADISON COUNTY SHARON RD, BROOKS RD TRANSPORT FIBER
<ul style="list-style-type: none"> EXISTING POLE PROPOSED PEDESTAL PROPOSED VAULT WATER VALVE FIBER MARKER GAS MARKER MANHOLE SEWER MANHOLE STORM DRAIN 	<ul style="list-style-type: none"> RIGHT OF WAY LINE IRRIGATION LINE WATER LANE GAS LANE PROPOSED ANCHOR PROPOSED RISER 	<ul style="list-style-type: none"> PROPOSED COAXIAL CABLE PROPOSED FIBER CABLE PROPOSED DIRECTIONAL BORE EXISTING CABLE 					
LEGEND: RW - RIGHT OF WAY EOP - EDGE OF PAVEMENT DW - DRIVEWAY PDW - PAVED DRIVEWAY				NOTES: BORE HOLE TO BE FILLED SAME DAY VAULT HOLE TO BE FILLED SAME DAY ALL HOLE TO BE TAMPED AND SOODED			
				NO SCALE	SHEET 6 OF 45		

NO MATCH SHEET

PROPOSED COMCAST UNDERGROUND
 DIRECTIONAL BORE
 4' MINIMUM DEPTH AT ALL POINTS
 1 24CT FIBER CABLE
 NO OTHER BURIED UTILITIES EXIST
 INSTALLATION LENGTH IN RW ON THIS SHEET 667 FT

MATCH SHEET 8



MATCH SHEET 6

NO MATCH SHEET

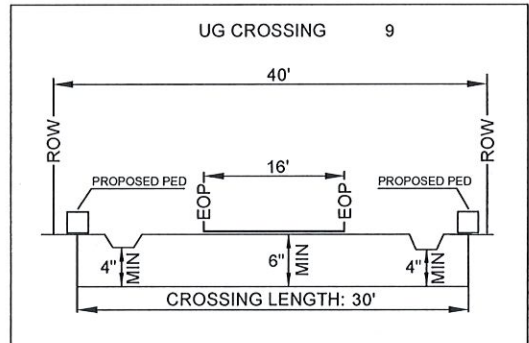
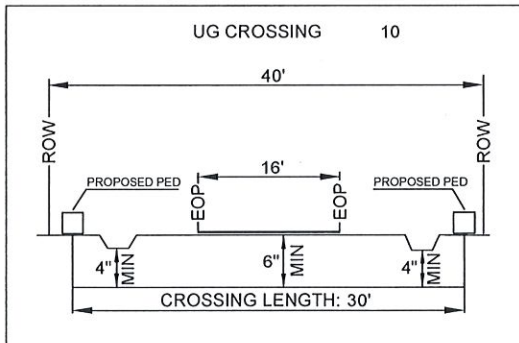
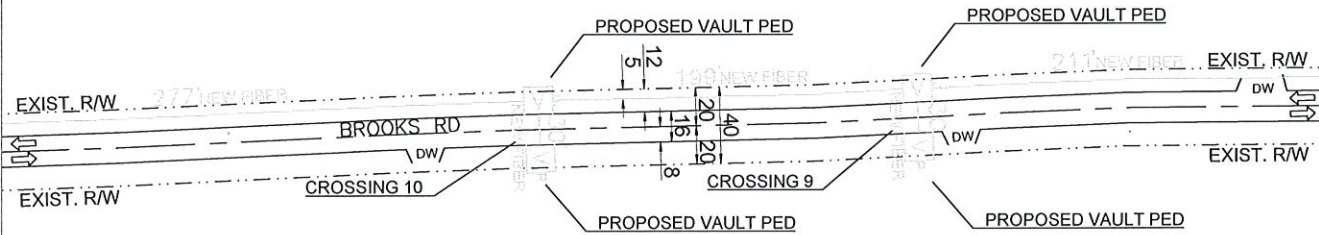
PREPARED BY: 	EXISTING POLE PROPOSED PEDESTAL PROPOSED VAULT WATER VALVE FIBER MARKER GAS MARKER MANHOLE SEWER MANHOLE STORM DRAIN	RIGHT OF WAY LINE IRRIGATION LINE WATER LANE GAS LANE PROPOSED ANCHOR PROPOSED RISER	PROPOSED COAXIAL CABLE PROPOSED FIBER CABLE PROPOSED DIRECTIONAL BORE EXISTING CABLE		ENGINEERED FOR: 	MADISON COUNTY BROOKS RD TRANSPORT FIBER
	LEGEND: RW - RIGHT OF WAY EOP - EDGE OF PAVEMENT DW - DRIVEWAY PDW - PAVED DRIVEWAY				NOTES: BORE HOLE TO BE FILLED SAME DAY VAULT HOLE TO BE FILLED SAME DAY ALL HOLE TO BE TAMPED AND SODDED	NO SCALE SHEET 7 OF 45

NO MATCH SHEET

PROPOSED COMCAST UNDERGROUND
 DIRECTIONAL BORE
 4' MINIMUM DEPTH AT ALL POINTS
 1 24CT FIBER CABLE
 NO OTHER BURIED UTILITIES EXIST
 INSTALLATION LENGTH IN RW ON THIS SHEET 747 FT

MATCH SHEET 9

MATCH SHEET 7



NO MATCH SHEET

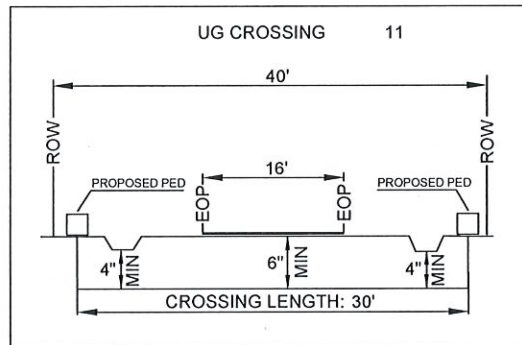
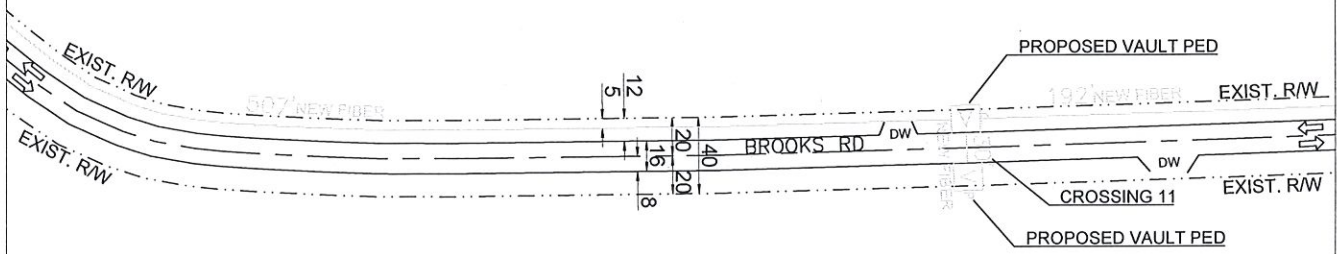
PREPARED BY: 	EXISTING POLE PROPOSED PEDESTAL PROPOSED VAULT WATER VALVE FIBER MARKER GAS MARKER MANHOLE SEWER MANHOLE STORM DRAIN	RIGHT OF WAY LINE IRRIGATION LINE WATER LANE GAS LANE PROPOSED ANCHOR PROPOSED RISER	PROPOSED COAXIAL CABLE PROPOSED FIBER CABLE PROPOSED DIRECTIONAL BORE EXISTING CABLE		ENGINEERED FOR: 	MADISON COUNTY BROOKS RD TRANSPORT FIBER
	LEGEND: RW - RIGHT OF WAY EOP - EDGE OF PAVEMENT DW - DRIVEWAY PDW - PAVED DRIVEWAY	NOTES: BORE HOLE TO BE FILLED SAME DAY VAULT HOLE TO BE FILLED SAME DAY ALL HOLE TO BE TAMPED AND SOODED	NO SCALE SHEET 8 OF 45			

NO MATCH SHEET

PROPOSED COMCAST UNDERGROUND
 DIRECTIONAL BORE
 4' MINIMUM DEPTH AT ALL POINTS
 1 24CT FIBER CABLE
 NO OTHER BURIED UTILITIES EXIST
 INSTALLATION LENGTH IN RW ON THIS SHEET 729 FT

MATCH SHEET 10

MATCH SHEET 8



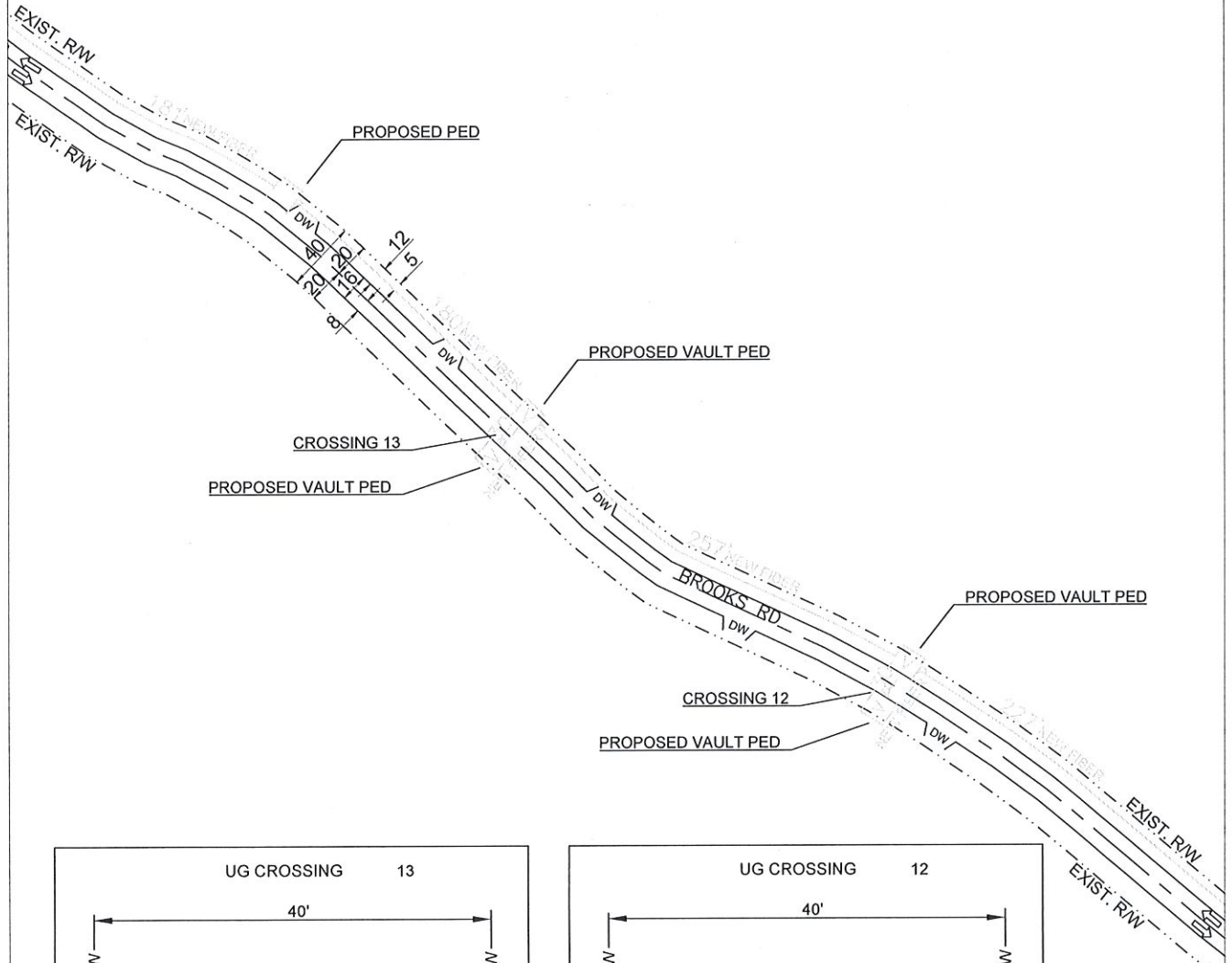
NO MATCH SHEET

PREPARED BY: 	EXISTING POLE PROPOSED PEDESTAL PROPOSED VAULT WATER VALVE FIBER MARKER GAS MARKER MANHOLE SEWER MANHOLE STORM DRAIN	RIGHT OF WAY LINE IRRIGATION LINE WATER LANE GAS LANE PROPOSED ANCHOR PROPOSED RISER	PROPOSED COAXIAL CABLE PROPOSED FIBER CABLE PROPOSED DIRECTIONAL BORE EXISTING CABLE		ENGINEERED FOR: 	MADISON COUNTY BROOKS RD TRANSPORT FIBER
	LEGEND: RW - RIGHT OF WAY EOP - EDGE OF PAVEMENT DW - DRIVEWAY PDW - PAVED DRIVEWAY	NOTES: BORE HOLE TO BE FILLED SAME DAY VAULT HOLE TO BE FILLED SAME DAY ALL HOLE TO BE TAMPED AND SOCCED	NO SCALE SHEET 9 OF 45			

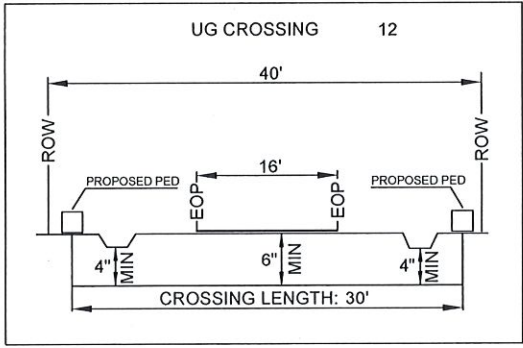
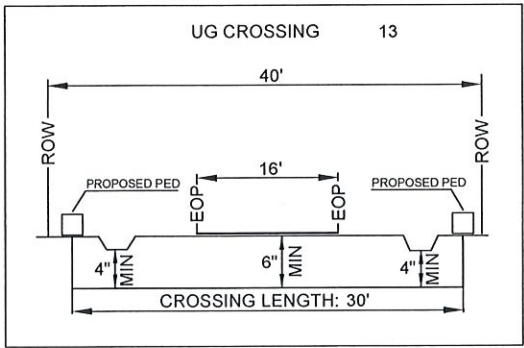
NO MATCH SHEET

PROPOSED COMCAST UNDERGROUND
 DIRECTIONAL BORE
 4' MINIMUM DEPTH AT ALL POINTS
 1 24CT FIBER CABLE
 NO OTHER BURIED UTILITIES EXIST
 INSTALLATION LENGTH IN RW ON THIS SHEET 905 FT

MATCH SHEET 11



MATCH SHEET 9

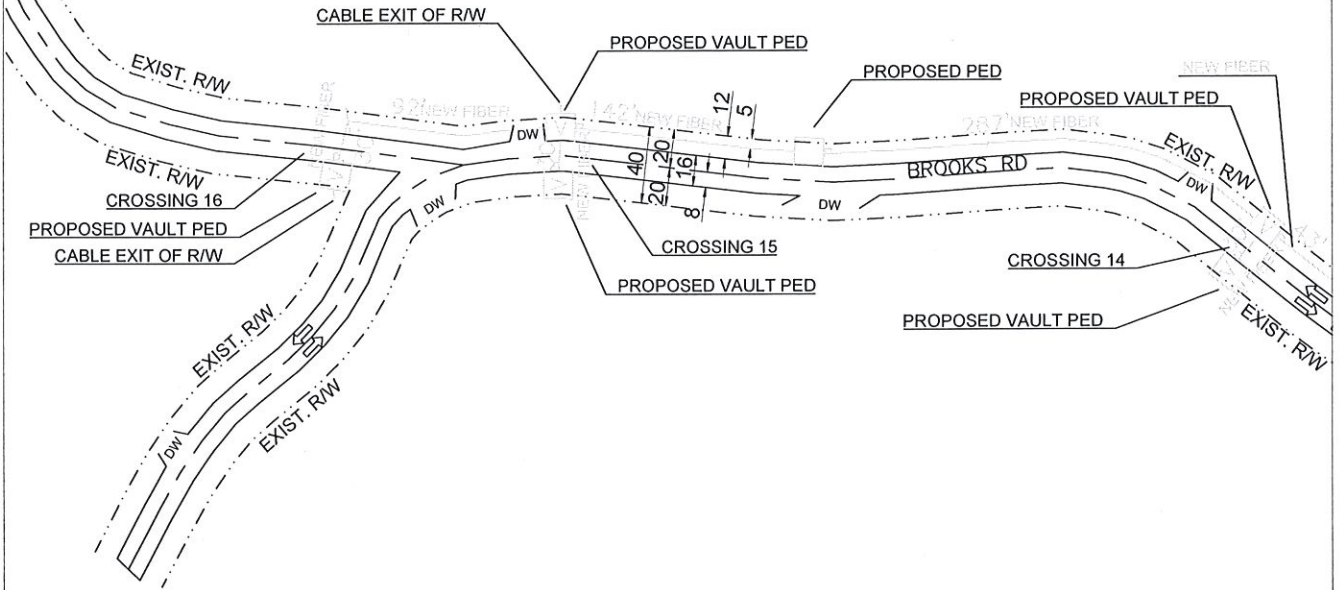


NO MATCH SHEET

PREPARED BY: 	EXISTING POLE PROPOSED PEDESTAL PROPOSED VAULT WATER VALVE FIBER MARKER GAS MARKER MANHOLE SEWER MANHOLE STORM DRAIN	RIGHT OF WAY LINE IRRIGATION LINE WATER LANE GAS LAINE PROPOSED ANCHOR PROPOSED RISER	PROPOSED COAXIAL CABLE PROPOSED FIBER CABLE PROPOSED DIRECTIONAL BORE EXISTING CABLE		ENGINEERED FOR: MADISON COUNTY BROOKS RD TRANSPORT FIBER		NO SCALE SHEET 10 OF 45
	LEGEND: RW - RIGHT OF WAY EOP - EDGE OF PAVEMENT DW - DRIVEWAY PDW - PAVED DRIVEWAY	NOTES: BORE HOLE TO BE FILLED SAME DAY VAULT HOLE TO BE FILLED SAME DAY ALL HOLE TO BE TAMPED AND SODDED					

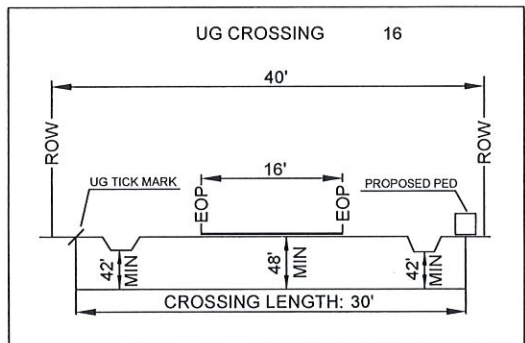
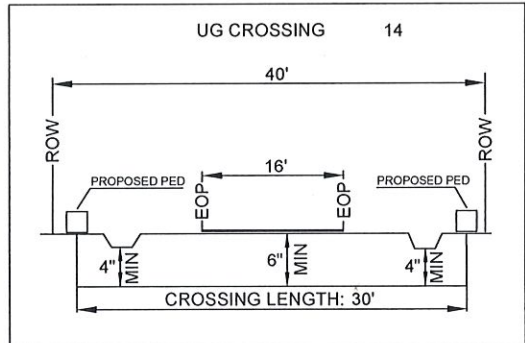
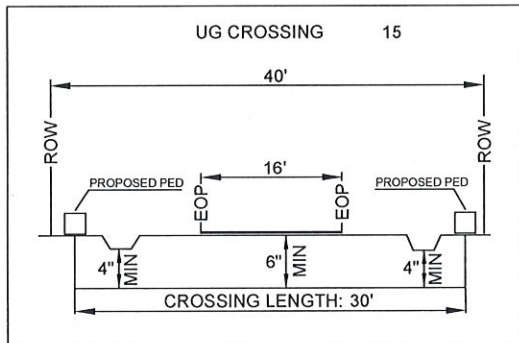
NO MATCH SHEET

PROPOSED COMCAST UNDERGROUND
DIRECTIONAL BORE
4' MINIMUM DEPTH AT ALL POINTS
1 24CT FIBER CABLE
NO OTHER BURIED UTILITIES EXIST
INSTALLATION LENGTH IN RW ON THIS SHEET 654 FT



NO MATCH SHEET

MATCH SHEET 10

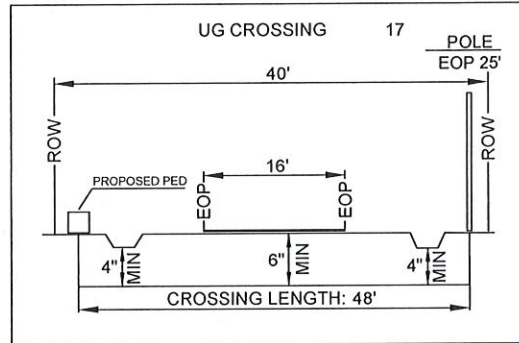
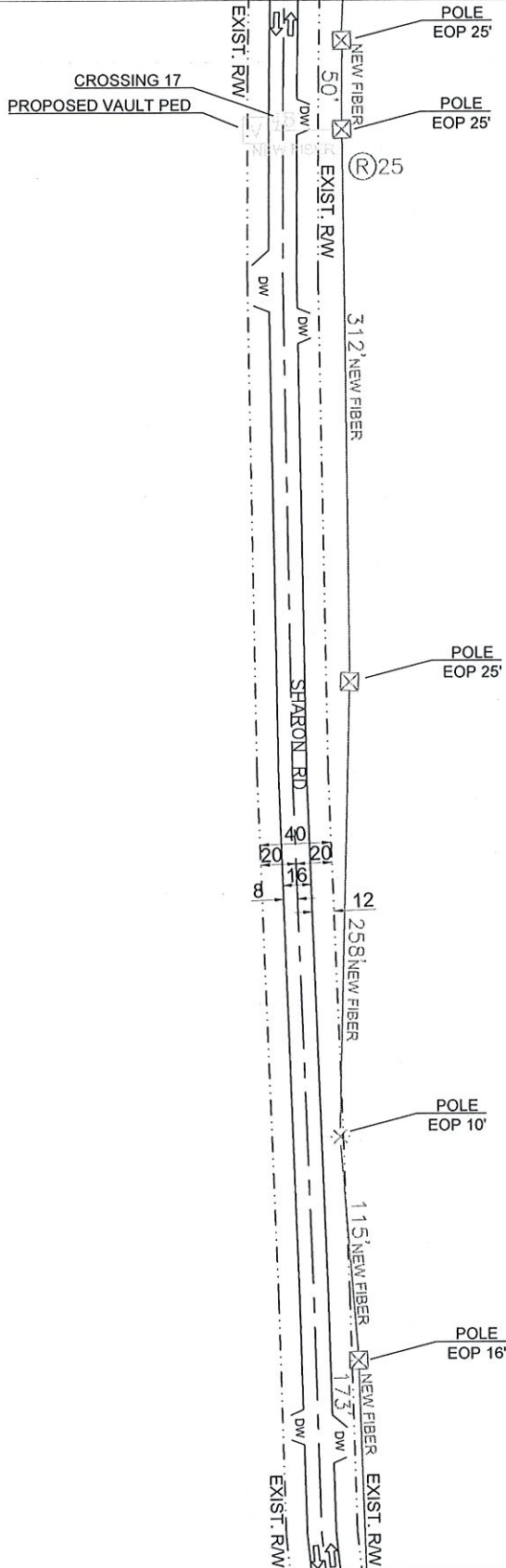


NO MATCH SHEET

PREPARED BY: 	EXISTING POLE PROPOSED PEDESTAL PROPOSED VAULT WATER VALVE FIBER MARKER GAS MARKER MANHOLE SEWER MANHOLE STORM DRAIN	RIGHT OF WAY LINE IRRIGATION LINE WATER LANE GAS LANE PROPOSED ANCHOR PROPOSED RISER	PROPOSED COAXIAL CABLE PROPOSED FIBER CABLE PROPOSED DIRECTIONAL BORE EXISTING CABLE		ENGINEERED FOR: 	MADISON COUNTY BROOKS RD TRANSPORT FIBER
	LEGEND: RW - RIGHT OF WAY EOP - EDGE OF PAVEMENT DW - DRIVEWAY PDW - PAVED DRIVEWAY	NOTES: BORE HOLE TO BE FILLED SAME DAY VAULT HOLE TO BE FILLED SAME DAY ALL HOLE TO BE TAMPED AND SODDED	NO SCALE		SHEET 11 OF 45	

MATCH SHEET 12

PROPOSED COMCAST NEW ATTACHMENT
 18' MINIMUM HEIGHT AT ALL POINTS
 1 48CT FIBER CABLE
 PROPOSED COMCAST UNDERGROUND
 DIRECTIONAL BORE
 4' MINIMUM DEPTH AT ALL POINTS
 1 48CT FIBER CABLE
 NO OTHER BURIED UTILITIES EXIST
 INSTALLATION LENGTH IN RW ON THIS SHEET 109 FT



NO MATCH SHEET

NO MATCH SHEET

MATCH SHEET 14

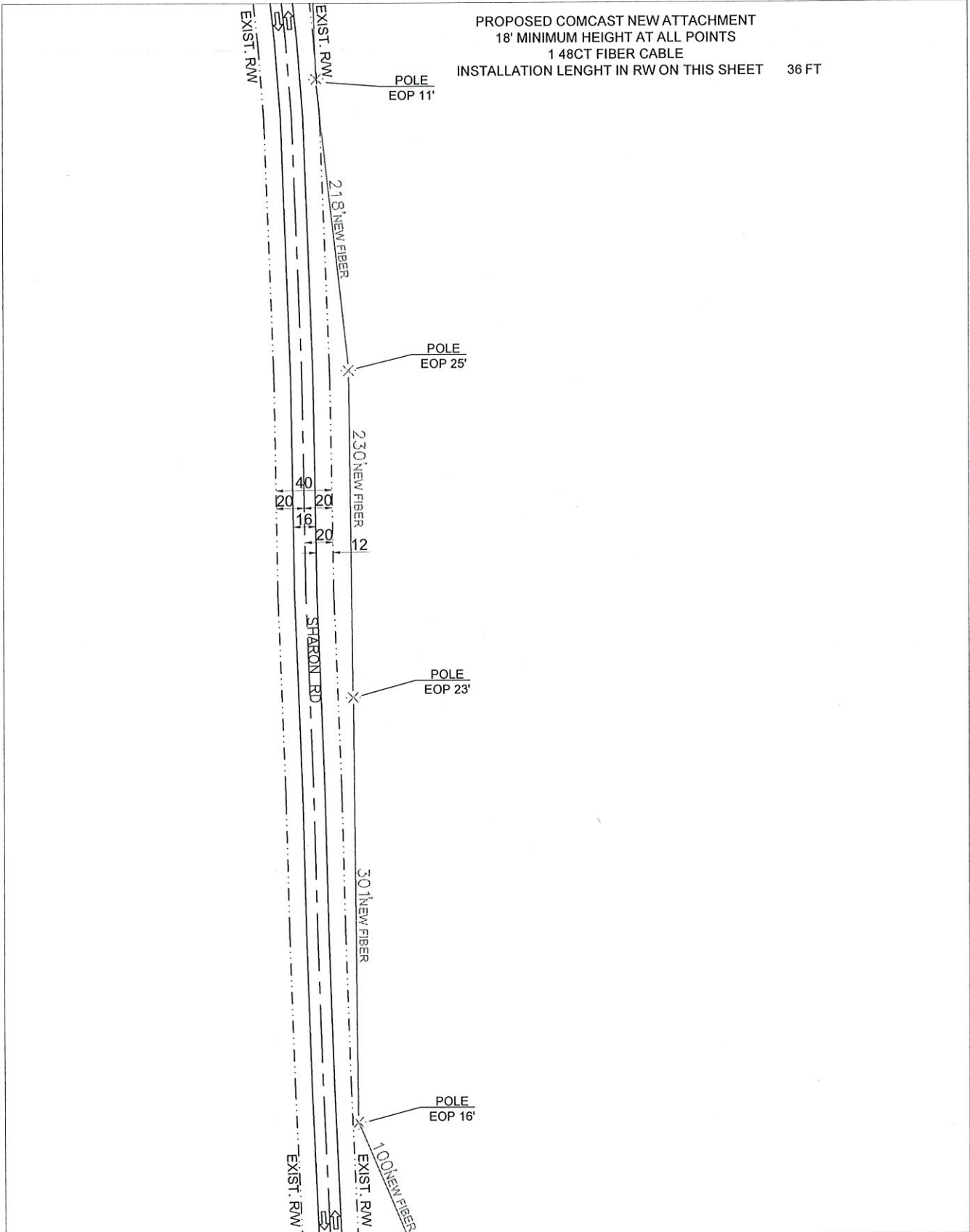
PREPARED BY: 	EXISTING POLE PROPOSED PEDESTAL PROPOSED VAULT WATER VALVE FIBER MARKER GAS MARKER MANHOLE SEWER MANHOLE STORM DRAIN	RIGHT OF WAY LINE IRRIGATION LINE WATER LANE GAS LANE PROPOSED ANCHOR PROPOSED RISER	PROPOSED COAXIAL CABLE PROPOSED FIBER CABLE PROPOSED DIRECTIONAL BORE EXISTING CABLE		ENGINEERED FOR: 	MADISON COUNTY SHARON RD TRANSPORT FIBER
	LEGEND: RW - RIGHT OF WAY EOP - EDGE OF PAVEMENT DW - DRIVEWAY PDW - PAVED DRIVEWAY	NOTES: BORE HOLE TO BE FILLED SAME DAY VAULT HOLE TO BE FILLED SAME DAY ALL HOLE TO BE TAMPED AND SOODED	NO SCALE SHEET 13 OF 45			

MATCH SHEET 13

PROPOSED COMCAST NEW ATTACHMENT
 18' MINIMUM HEIGHT AT ALL POINTS
 1 48CT FIBER CABLE
 INSTALLATION LENGHT IN RW ON THIS SHEET 36 FT

NO MATCH SHEET

NO MATCH SHEET



MATCH SHEET 15

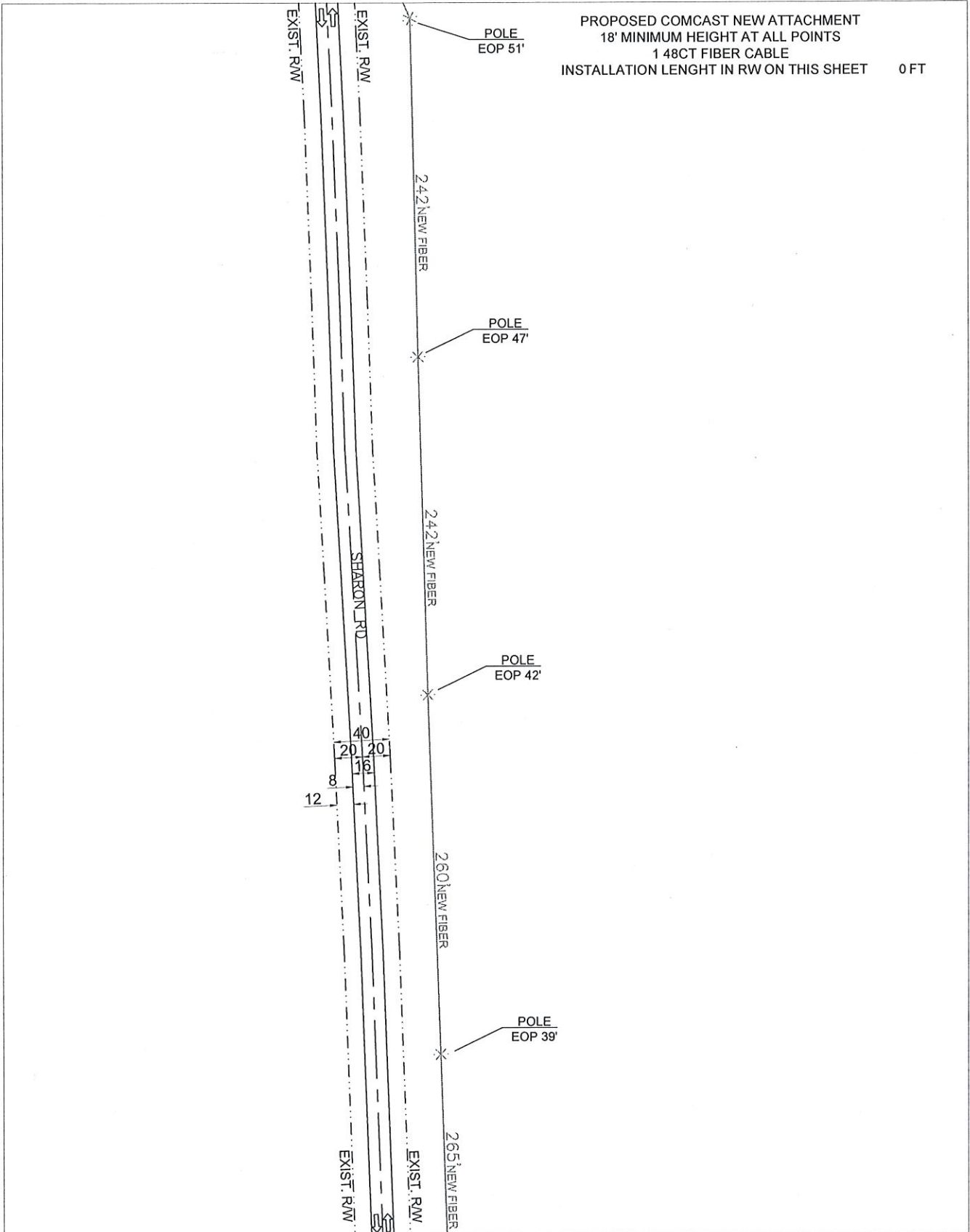
PREPARED BY: 	EXISTING POLE PROPOSED PEDESTAL PROPOSED VAULT WATER VALVE FIBER MARKER GAS MARKER MANHOLE SEWER MAIN/HOLE STORM DRAIN	RIGHT OF WAY LINE IRRIGATION LINE WATER LANE GAS LANE PROPOSED ANCHOR PROPOSED RISER	PROPOSED COAXIAL CABLE PROPOSED FIBER CABLE PROPOSED DIRECTIONAL BORE EXISTING CABLE		ENGINEERED FOR: 	MADISON COUNTY SHARON RD TRANSPORT FIBER
	LEGEND: RW - RIGHT OF WAY EOP - EDGE OF PAVEMENT DW - DRIVEWAY POW - PAVED DRIVEWAY	NOTES: BORE HOLE TO BE FILLED SAME DAY VAULT HOLE TO BE FILLED SAME DAY ALL HOLE TO BE TAMPED AND SODDED	NO SCALE SHEET 14 OF 45			

MATCH SHEET 14

PROPOSED COMCAST NEW ATTACHMENT
 18' MINIMUM HEIGHT AT ALL POINTS
 1 48CT FIBER CABLE
 INSTALLATION LENGTH IN RW ON THIS SHEET 0 FT

NO MATCH SHEET

NO MATCH SHEET



MATCH SHEET 16

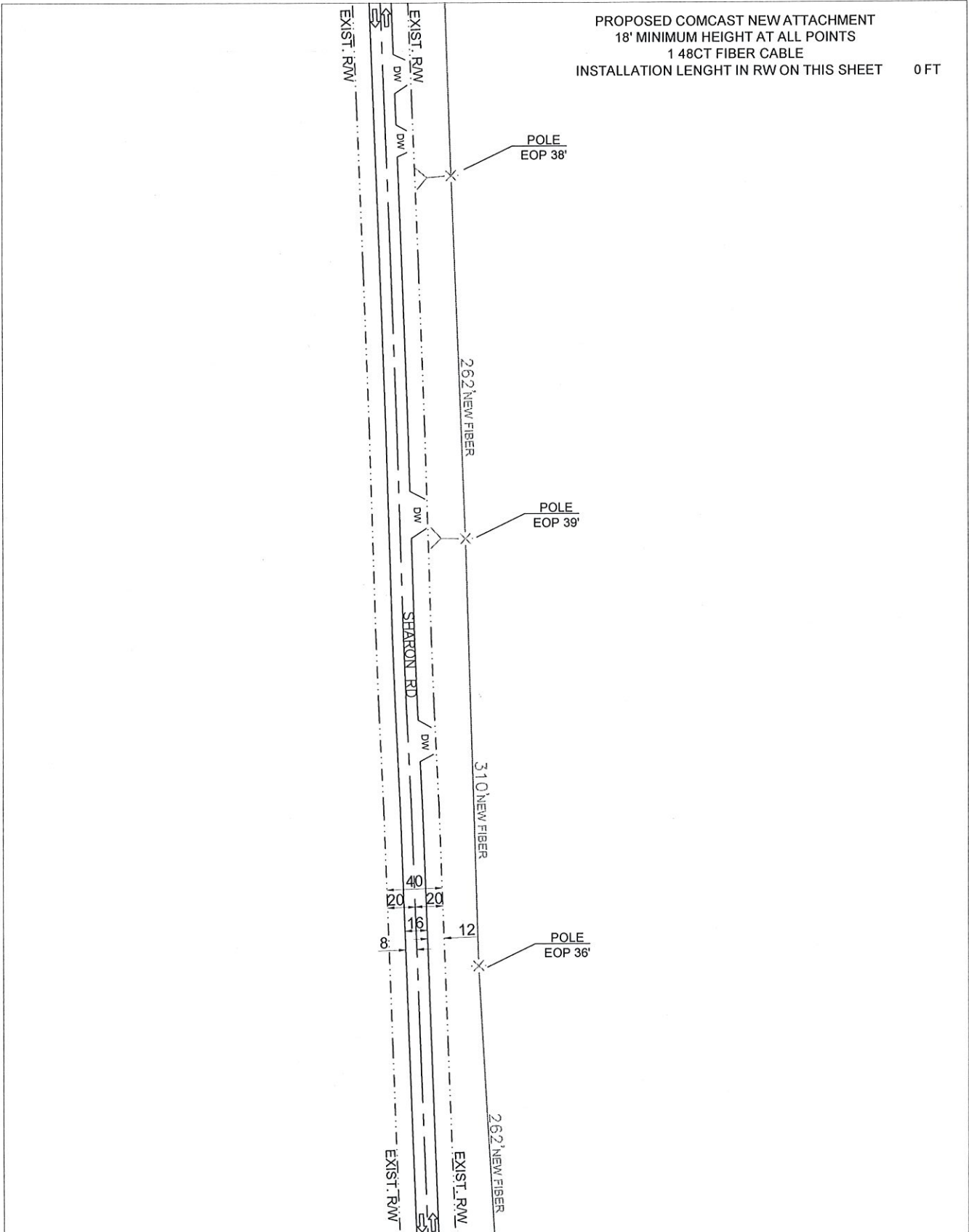
PREPARED BY: 	EXISTING POLE PROPOSED PEDESTAL PROPOSED VAULT WATER VALVE FIBER MARKER GAS MARKER MANHOLE SEWER MANHOLE STORM DRAIN	RIGHT OF WAY LINE IRRIGATION LINE WATER LANE GAS LANE PROPOSED ANCHOR PROPOSED RISER	PROPOSED COAXIAL CABLE PROPOSED FIBER CABLE PROPOSED DIRECTIONAL BORE EXISTING CABLE		ENGINEERED FOR: 	MADISON COUNTY SHARON RD TRANSPORT FIBER
	LEGEND: RW - RIGHT OF WAY EOP - EDGE OF PAVEMENT DW - DRIVEWAY PDW - PAVED DRIVEWAY	NOTES: BORE HOLE TO BE FILLED SAME DAY VAULT HOLE TO BE FILLED SAME DAY ALL HOLE TO BE TAMPED AND SODDED	NO SCALE SHEET 15 OF 45			

MATCH SHEET 15

PROPOSED COMCAST NEW ATTACHMENT
 18' MINIMUM HEIGHT AT ALL POINTS
 1 48CT FIBER CABLE
 INSTALLATION LENGHT IN RW ON THIS SHEET 0 FT

NO MATCH SHEET

NO MATCH SHEET



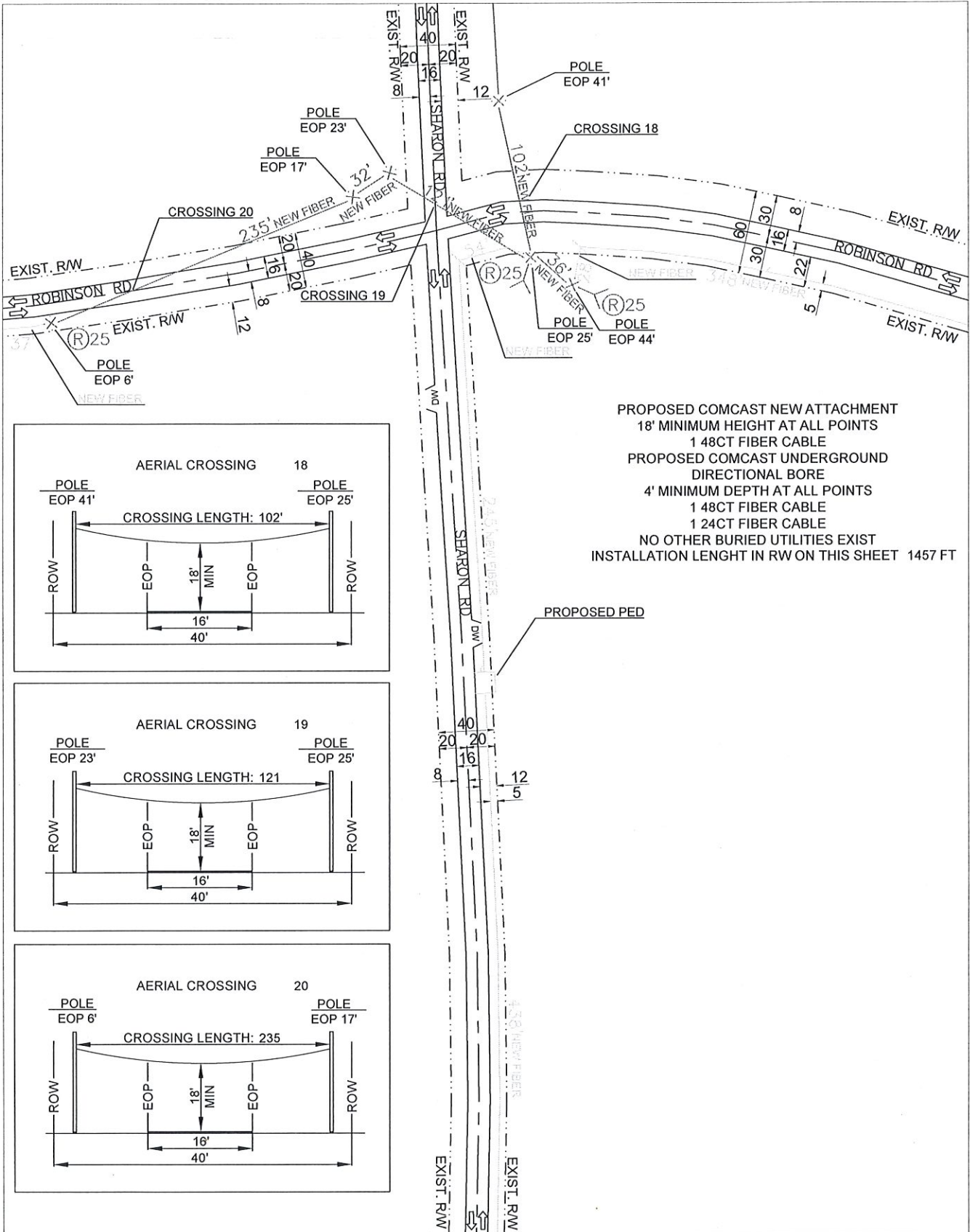
MATCH SHEET 17

PREPARED BY: 	EXISTING POLE PROPOSED PEDESTAL PROPOSED VAULT WATER VALVE FIBER MARKER GAS MARKER MANHOLE SEWER MANHOLE STORM DRAIN	RIGHT OF WAY LINE IRRIGATION LINE WATER LANE GAS LANE PROPOSED ANCHOR PROPOSED RISER	PROPOSED COAXIAL CABLE PROPOSED FIBER CABLE PROPOSED DIRECTIONAL BORE EXISTING CABLE		ENGINEERED FOR: 	MADISON COUNTY SHARON RD TRANSPORT FIBER
	LEGEND: RW - RIGHT OF WAY EOP - EDGE OF PAVEMENT DW - DRIVEWAY PDW - PAVED DRIVEWAY	NOTES: BORE HOLE TO BE FILLED SAME DAY VAULT HOLE TO BE FILLED SAME DAY ALL HOLE TO BE TAMPED AND SODDED	NO SCALE SHEET 16 OF 45			

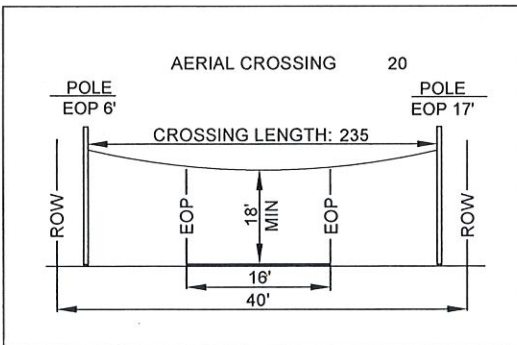
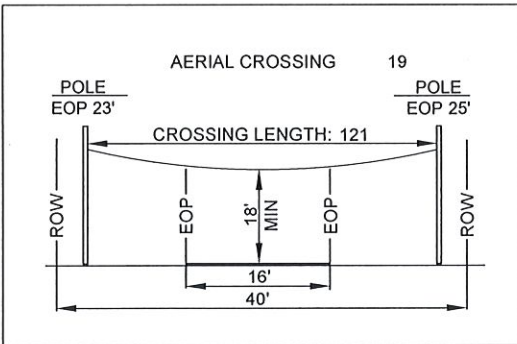
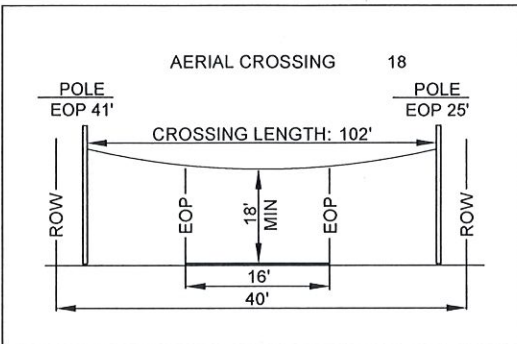
MATCH SHEET 16

MATCH SHEET 18

MATCH SHEET 25



PROPOSED COMCAST NEW ATTACHMENT
 18' MINIMUM HEIGHT AT ALL POINTS
 1 48CT FIBER CABLE
 PROPOSED COMCAST UNDERGROUND
 DIRECTIONAL BORE
 4' MINIMUM DEPTH AT ALL POINTS
 1 48CT FIBER CABLE
 1 24CT FIBER CABLE
 NO OTHER BURIED UTILITIES EXIST
 INSTALLATION LENGTH IN RW ON THIS SHEET 1457 FT



MATCH SHEET 31

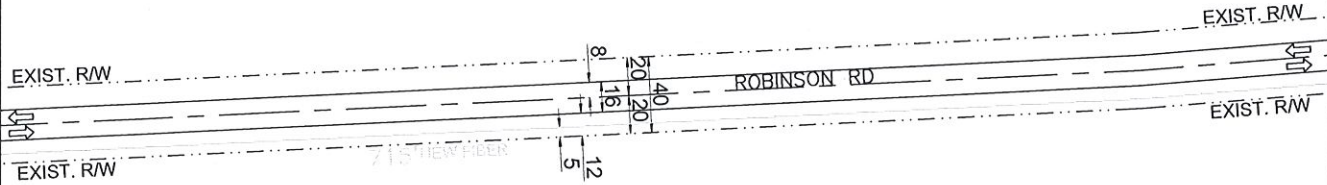
PREPARED BY: 	EXISTING POLE PROPOSED PEDESTAL PROPOSED VAULT WATER VALVE FIBER MARKER GAS MARKER MANHOLE SEWER MAINHOLE STORM DRAIN	RIGHT OF WAY LINE IRRIGATION LINE WATER LANE GAS LANE PROPOSED ANCHOR PROPOSED RISER	PROPOSED COAXIAL CABLE PROPOSED FIBER CABLE PROPOSED DIRECTIONAL BORE EXISTING CABLE		ENGINEERED FOR: MADISON COUNTY SHARON RD, ROBINSON RD TRANSPORT FIBER
	LEGEND: RW - RIGHT OF WAY EOP - EDGE OF PAVEMENT DW - DRIVEWAY POW - PAVED DRIVEWAY	NOTES: BORE HOLE TO BE FILLED SAME DAY VAULT HOLE TO BE FILLED SAME DAY ALL HOLE TO BE TAMPED AND SOODED			NO SCALE SHEET 17 OF 45

NO MATCH SHEET

PROPOSED COMCAST UNDERGROUND
 DIRECTIONAL BORE
 4' MINIMUM DEPTH AT ALL POINTS
 1 48CT FIBER CABLE
 NO OTHER BURIED UTILITIES EXIST
 INSTALLATION LENGTH IN RW ON THIS SHEET 715 FT

MATCH SHEET 19

MATCH SHEET 17



NO MATCH SHEET

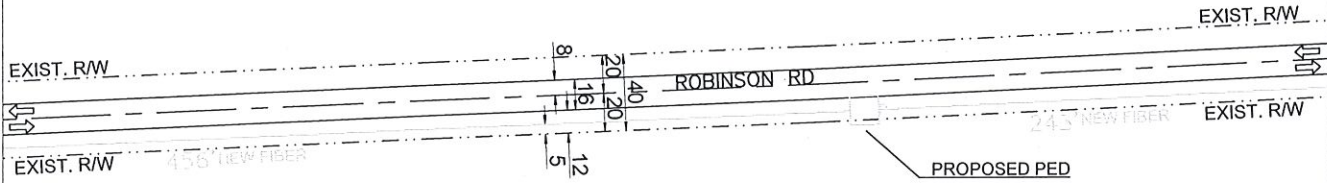
PREPARED BY: 	EXISTING POLE PROPOSED PEDESTAL PROPOSED VAULT WATER VALVE FIBER MARKER GAS MARKER MANHOLE SEWER MANHOLE STORM DRAIN	RIGHT OF WAY LINE IRRIGATION LINE WATER LANE GAS LANE PROPOSED ANCHOR PROPOSED RISER	PROPOSED COAXIAL CABLE PROPOSED FIBER CABLE PROPOSED DIRECTIONAL BORE EXISTING CABLE		ENGINEERED FOR: 	MADISON COUNTY ROBINSON RD TRANSPORT FIBER
	LEGEND: RW - RIGHT OF WAY EOP - EDGE OF PAVEMENT DW - DRIVEWAY PDW - PAVED DRIVEWAY	NOTES: BORE HOLE TO BE FILLED SAME DAY VAULT HOLE TO BE FILLED SAME DAY ALL HOLE TO BE TAMPED AND SODDED	NO SCALE SHEET 18 OF 45			

NO MATCH SHEET

PROPOSED COMCAST UNDERGROUND
 DIRECTIONAL BORE
 4' MINIMUM DEPTH AT ALL POINTS
 1 48CT FIBER CABLE
 NO OTHER BURIED UTILITIES EXIST
 INSTALLATION LENGTH IN RW ON THIS SHEET 699 FT

MATCH SHEET 20

MATCH SHEET 18



NO MATCH SHEET

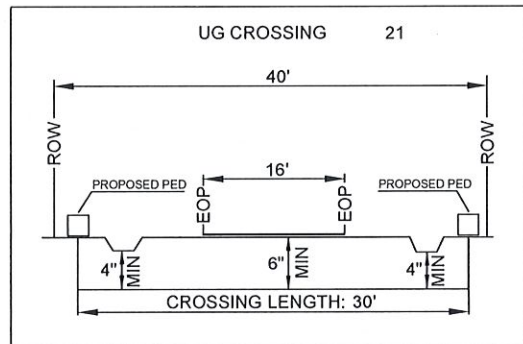
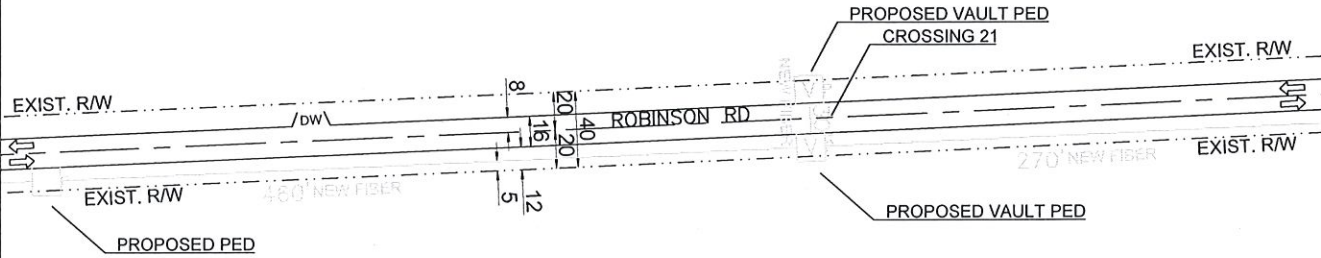
PREPARED BY: 	EXISTING POLE PROPOSED PEDESTAL PROPOSED VAULT WATER VALVE FIBER MARKER GAS MARKER MANHOLE SEWER MANHOLE STORM DRAIN	RIGHT OF WAY LINE IRRIGATION LINE WATER LANE GAS LANE PROPOSED ANCHOR PROPOSED RISER (R) 25 LEGEND: RW - RIGHT OF WAY EOP - EDGE OF PAVEMENT DW - DRIVEWAY PDW - PAVED DRIVEWAY	PROPOSED COAXIAL CABLE PROPOSED FIBER CABLE PROPOSED DIRECTIONAL BORE EXISTING CABLE		ENGINEERED FOR: 	MADISON COUNTY ROBINSON RD TRANSPORT FIBER
	NOTES: BORE HOLE TO BE FILLED SAME DAY VAULT HOLE TO BE FILLED SAME DAY ALL HOLE TO BE TAMPED AND SODDED	NO SCALE SHEET 19 OF 45				

NO MATCH SHEET

PROPOSED COMCAST UNDERGROUND
 DIRECTIONAL BORE
 4' MINIMUM DEPTH AT ALL POINTS
 1 48CT FIBER CABLE
 NO OTHER BURIED UTILITIES EXIST
 INSTALLATION LENGTH IN RW ON THIS SHEET 760 FT

MATCH SHEET 21

MATCH SHEET 19



NO MATCH SHEET

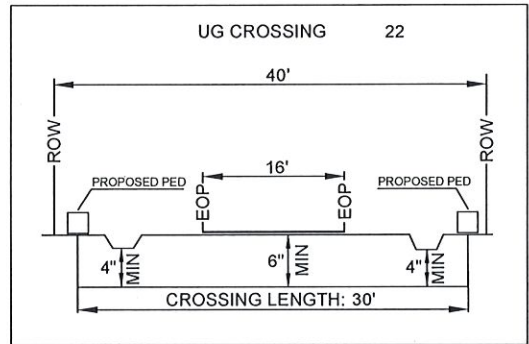
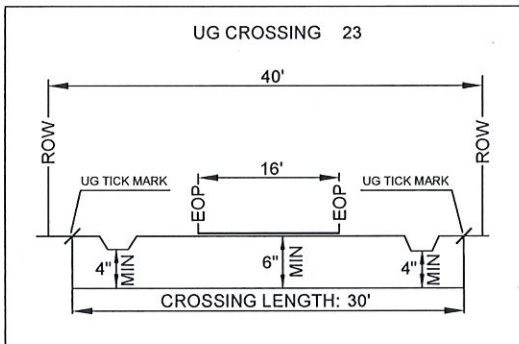
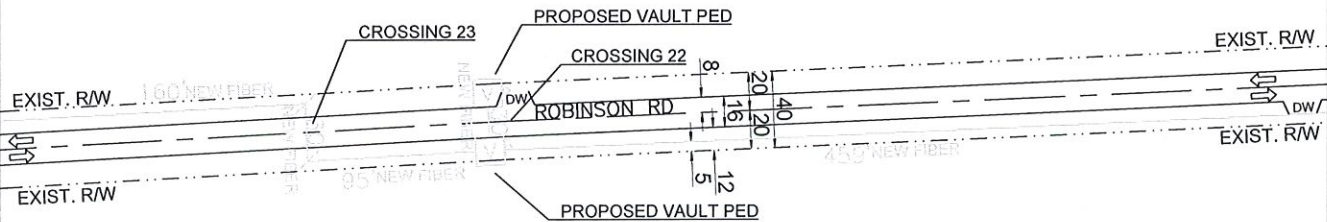
PREPARED BY: 	EXISTING POLE PROPOSED PEDESTAL PROPOSED VAULT WATER VALVE FIBER MARKER GAS MARKER MANHOLE SEWER MANHOLE STORM DRAIN	RIGHT OF WAY LINE IRRIGATION LINE WATER LANE GAS LANE PROPOSED ANCHOR PROPOSED RISER (R) 25	PROPOSED COAXIAL CABLE PROPOSED FIBER CABLE PROPOSED DIRECTIONAL BORE EXISTING CABLE		ENGINEERED FOR: 	MADISON COUNTY ROBINSON RD TRANSPORT FIBER
	LEGEND: RW - RIGHT OF WAY EOP - EDGE OF PAVEMENT DW - DRIVEWAY PDW - PAVED DRIVEWAY	NOTES: BORE HOLE TO BE FILLED SAME DAY VAULT HOLE TO BE FILLED SAME DAY ALL HOLE TO BE TAMPED AND SODDED	NO SCALE SHEET 20 OF 45			

NO MATCH SHEET

PROPOSED COMCAST UNDERGROUND
 DIRECTIONAL BORE
 4' MINIMUM DEPTH AT ALL POINTS
 1 48CT FIBER CABLE
 NO OTHER BURIED UTILITIES EXIST
 INSTALLATION LENGTH IN RW ON THIS SHEET 774 FT

MATCH SHEET 22

MATCH SHEET 20



NO MATCH SHEET

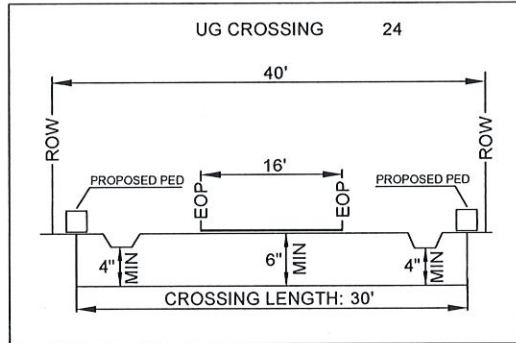
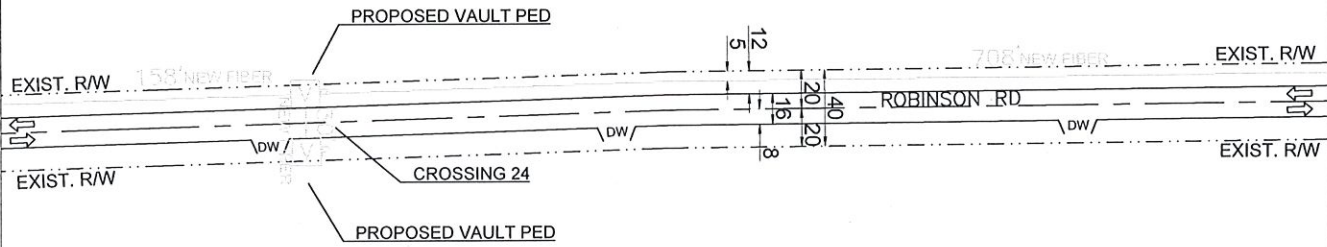
PREPARED BY: 	EXISTING POLE PROPOSED PEDESTAL PROPOSED VAULT WATER VALVE FIBER MARKER GAS MARKER MANHOLE SEWER MANHOLE STORM DRAIN	RIGHT OF WAY LINE IRRIGATION LINE WATER LANE GAS LANE PROPOSED ANCHOR PROPOSED RISER	PROPOSED COAXIAL CABLE PROPOSED FIBER CABLE PROPOSED DIRECTIONAL BORE EXISTING CABLE		ENGINEERED FOR: 	MADISON COUNTY ROBINSON RD TRANSPORT FIBER
	LEGEND: RW - RIGHT OF WAY EOP - EDGE OF PAVEMENT DW - DRIVEWAY PDW - PAVED DRIVEWAY	NOTES: BORE HOLE TO BE FILLED SAME DAY VAULT HOLE TO BE FILLED SAME DAY ALL HOLE TO BE TAMPED AND SOCCDED	HO SCALE SHEET 21 OF 45			

NO MATCH SHEET

PROPOSED COMCAST UNDERGROUND
 DIRECTIONAL BORE
 4' MINIMUM DEPTH AT ALL POINTS
 1 48CT FIBER CABLE
 NO OTHER BURIED UTILITIES EXIST
 INSTALLATION LENGTH IN RW ON THIS SHEET 896 FT

MATCH SHEET 23

MATCH SHEET 21



NO MATCH SHEET

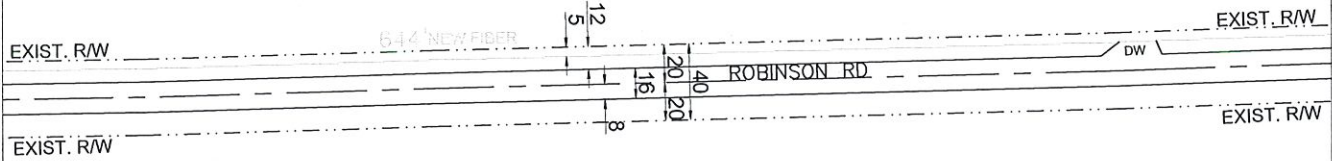
PREPARED BY: 	EXISTING POLE PROPOSED PEDESTAL PROPOSED VAULT WATER VALVE FIBER MARKER GAS MARKER MANHOLE SEWER MANHOLE STORM DRAIN	RIGHT OF WAY LINE IRRIGATION LINE WATER LANE GAS LANE PROPOSED ANCHOR PROPOSED RISER	PROPOSED COAXIAL CABLE PROPOSED FIBER CABLE PROPOSED DIRECTIONAL BORE EXISTING CABLE		ENGINEERED FOR: 	MADISON COUNTY ROBINSON RD TRANSPORT FIBER
	LEGEND: RW - RIGHT OF WAY EOP - EDGE OF PAVEMENT DW - DRIVEWAY PDW - PAVED DRIVEWAY	NOTES: BORE HOLE TO BE FILLED SAME DAY VAULT HOLE TO BE FILLED SAME DAY ALL HOLE TO BE TAMPED AND SODDED	NO SCALE SHEET 22 OF 45			

NO MATCH SHEET

PROPOSED COMCAST UNDERGROUND
 DIRECTIONAL BORE
 4' MINIMUM DEPTH AT ALL POINTS
 1 48CT FIBER CABLE
 NO OTHER BURIED UTILITIES EXIST
 INSTALLATION LENGHT IN RW ON THIS SHEET 644 FT

MATCH SHEET 24

MATCH SHEET 22



NO MATCH SHEET

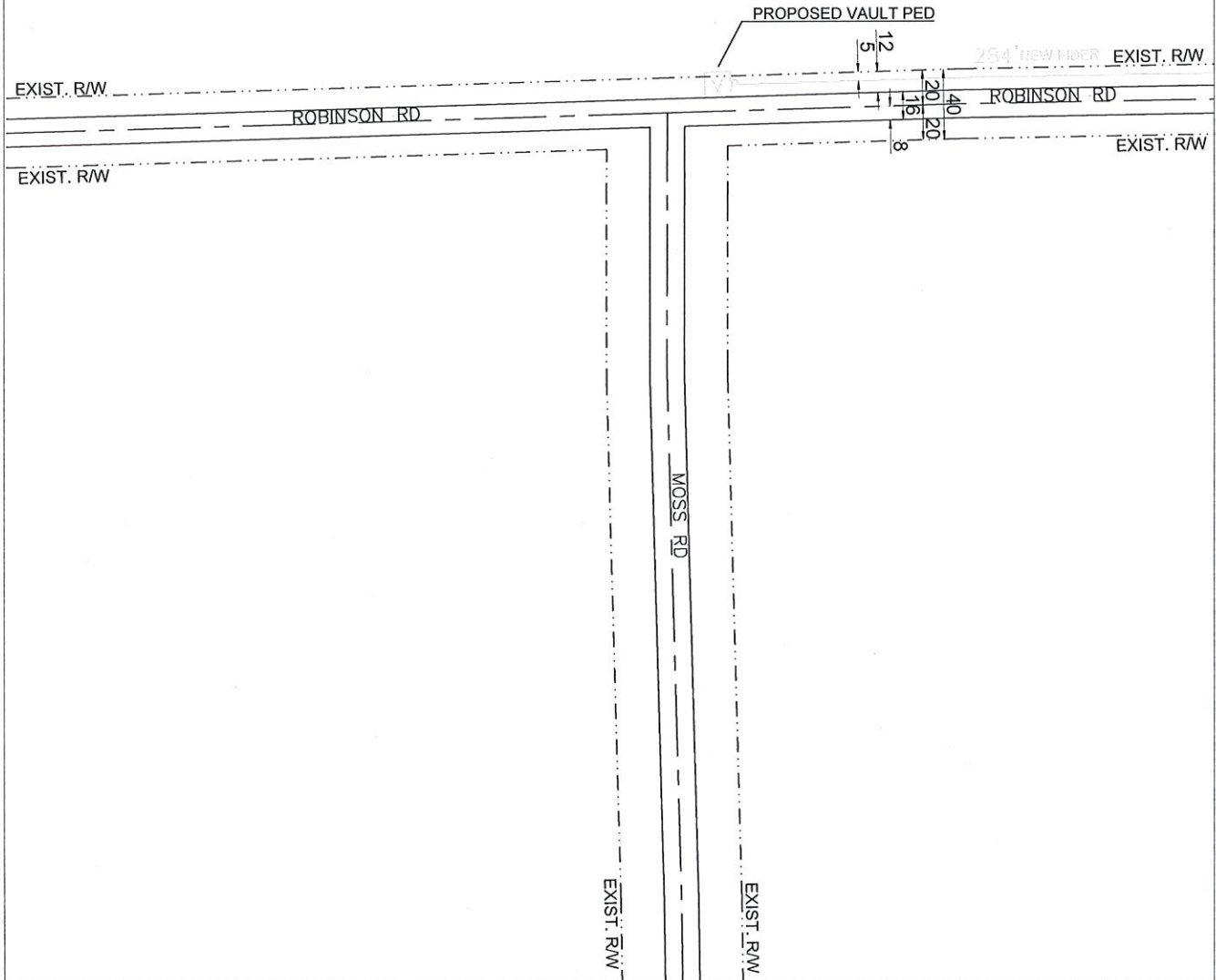
PREPARED BY: 	EXISTING POLE PROPOSED PEDESTAL PROPOSED VAULT WATER VALVE FIBER MARKER GAS MARKER MANHOLE SEWER MAINHOLE STORM DRAIN	RIGHT OF WAY LINE IRRIGATION LINE WATER LANE GAS LANE PROPOSED ANCHOR PROPOSED RISER	PROPOSED COAXIAL CABLE PROPOSED FIBER CABLE PROPOSED DIRECTIONAL BORE EXISTING CABLE		ENGINEERED FOR: 	MADISON COUNTY ROBINSON RD TRANSPORT FIBER
	LEGEND: RW - RIGHT OF WAY EOP - EDGE OF PAVEMENT DW - DRIVEWAY PDW - PAVED DRIVEWAY	NOTES: BORE HOLE TO BE FILLED SAME DAY VAULT HOLE TO BE FILLED SAME DAY ALL HOLE TO BE TAMPED AND SOODED	NO SCALE SHEET 23 OF 45			

NO MATCH SHEET

PROPOSED COMCAST UNDERGROUND
 DIRECTIONAL BORE
 4' MINIMUM DEPTH AT ALL POINTS
 1 48CT FIBER CABLE
 NO OTHER BURIED UTILITIES EXIST
 INSTALLATION LENGHT IN RW ON THIS SHEET 284 FT

NO MATCH SHEET

MATCH SHEET 23



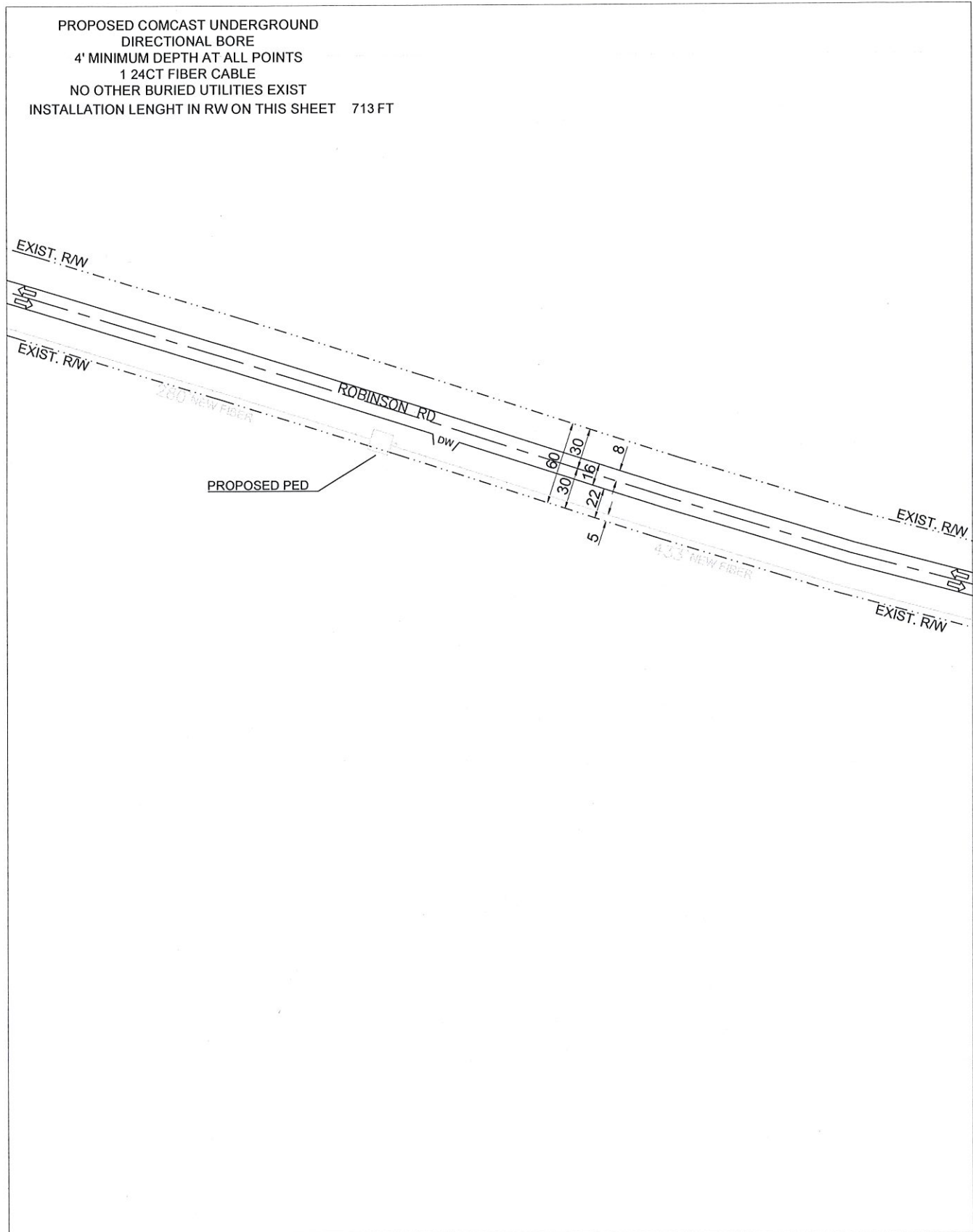
NO MATCH SHEET

PREPARED BY: 	EXISTING POLE PROPOSED PEDESTAL PROPOSED VAULT WATER VALVE FIBER MARKER GAS MARKER MANHOLE SEWER MAINHOLE STORM DRAIN	RIGHT OF WAY LINE IRRIGATION LINE WATER LANE GAS LANE PROPOSED ANCHOR PROPOSED RISER	PROPOSED COAXIAL CABLE PROPOSED FIBER CABLE PROPOSED DIRECTIONAL BORE EXISTING CABLE		ENGINEERED FOR: 	MADISON COUNTY ROBINSON RD, MOSS RD TRANSPORT FIBER
	LEGEND: RW - RIGHT OF WAY EOP - EDGE OF PAVEMENT DW - DRIVEWAY PDW - PAVED DRIVEWAY	NOTES: BORE HOLE TO BE FILLED SAME DAY VAULT HOLE TO BE FILLED SAME DAY ALL HOLE TO BE TAMPED AND SODDED	NO SCALE SHEET 24 OF 45			

NO MATCH SHEET

PROPOSED COMCAST UNDERGROUND
 DIRECTIONAL BORE
 4' MINIMUM DEPTH AT ALL POINTS
 1 24CT FIBER CABLE
 NO OTHER BURIED UTILITIES EXIST
 INSTALLATION LENGHT IN RW ON THIS SHEET 713 FT

MATCH SHEET 17



MATCH SHEET 26

NO MATCH SHEET

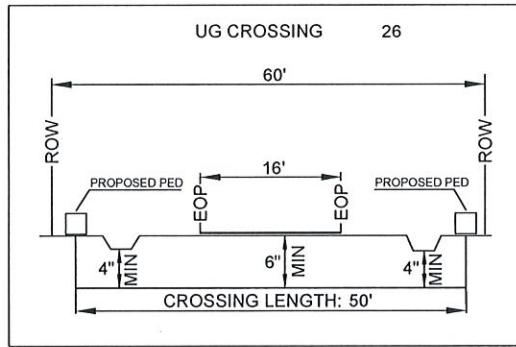
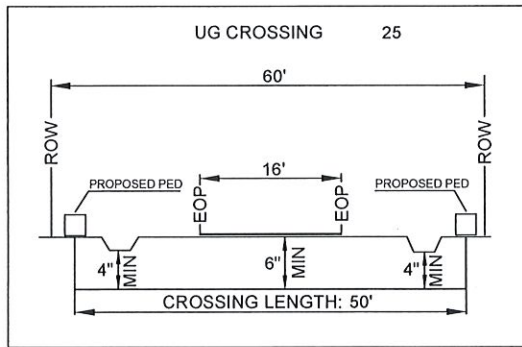
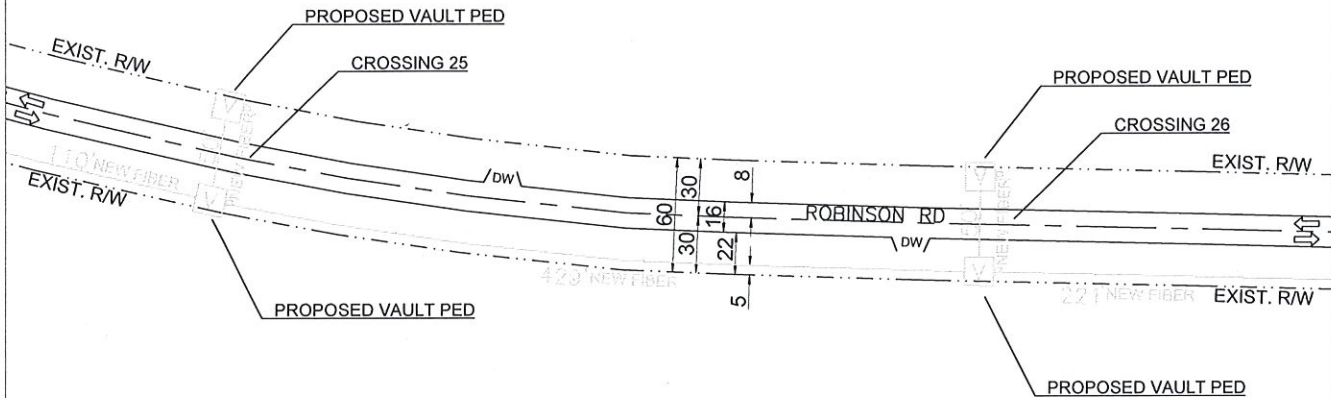
PREPARED BY: 	EXISTING POLE PROPOSED PEDESTAL PROPOSED VAULT WATER VALVE FIBER MARKER GAS MARKER MANHOLE SEWER MAINHOLE STORM DRAIN	RIGHT OF WAY LINE IRRIGATION LINE WATER LANE GAS LANE PROPOSED ANCHOR PROPOSED RISER	PROPOSED COAXIAL CABLE PROPOSED FIBER CABLE PROPOSED DIRECTIONAL BORE EXISTING CABLE		ENGINEERED FOR: 	MADISON COUNTY ROBINSON RD TRANSPORT FIBER
	LEGEND: RW - RIGHT OF WAY EOP - EDGE OF PAVEMENT DW - DRIVEWAY PDW - PAVED DRIVEWAY	NOTES: BORE HOLE TO BE FILLED SAME DAY VAULT HOLE TO BE FILLED SAME DAY ALL HOLE TO BE TAMPED AND SODDED	NO SCALE SHEET 25 OF 45			

NO MATCH SHEET

PROPOSED COMCAST UNDERGROUND
 DIRECTIONAL BORE
 4' MINIMUM DEPTH AT ALL POINTS
 1 24CT FIBER CABLE
 NO OTHER BURIED UTILITIES EXIST
 INSTALLATION LENGTH IN RW ON THIS SHEET 860 FT

MATCH SHEET 25

MATCH SHEET 27



NO MATCH SHEET

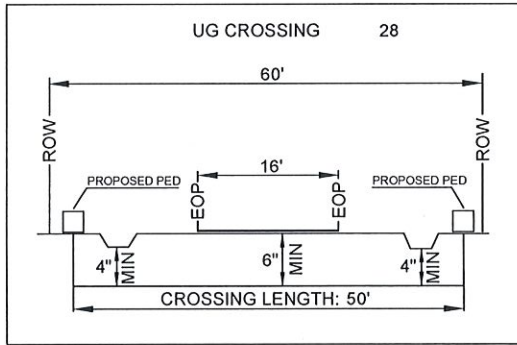
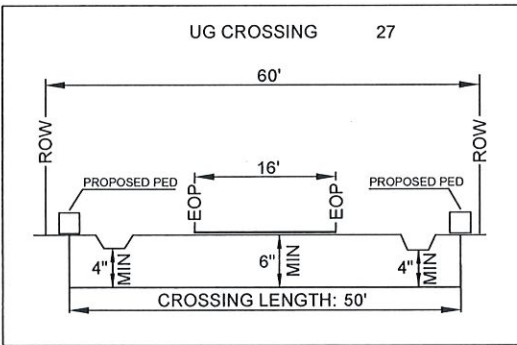
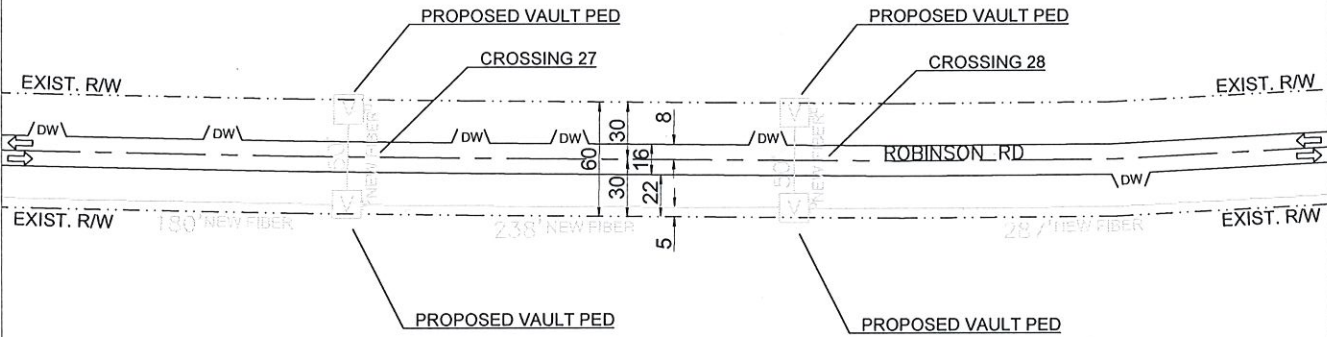
PREPARED BY: 	EXISTING POLE PROPOSED PEDESTAL PROPOSED VAULT WATER VALVE FIBER MARKER GAS MARKER MANHOLE SEWER MANHOLE STORM DRAIN	RIGHT OF WAY LINE IRRIGATION LINE WATER LANE GAS LANE PROPOSED ANCHOR PROPOSED RISER	PROPOSED COAXIAL CABLE PROPOSED FIBER CABLE PROPOSED DIRECTIONAL BORE EXISTING CABLE		ENGINEERED FOR: MADISON COUNTY ROBINSON RD TRANSPORT FIBER
	LEGEND: RW - RIGHT OF WAY EOP - EDGE OF PAVEMENT DW - DRIVEWAY PDW - PAVED DRIVEWAY	NOTES: BORE HOLE TO BE FILLED SAME DAY VAULT HOLE TO BE FILLED SAME DAY ALL HOLE TO BE TAMPED AND SOODED			NO SCALE SHEET 26 OF 45

NO MATCH SHEET

PROPOSED COMCAST UNDERGROUND
 DIRECTIONAL BORE
 4' MINIMUM DEPTH AT ALL POINTS
 1 24CT FIBER CABLE
 NO OTHER BURIED UTILITIES EXIST
 INSTALLATION LENGTH IN RW ON THIS SHEET 805 FT

MATCH SHEET 26

MATCH SHEET 28



NO MATCH SHEET

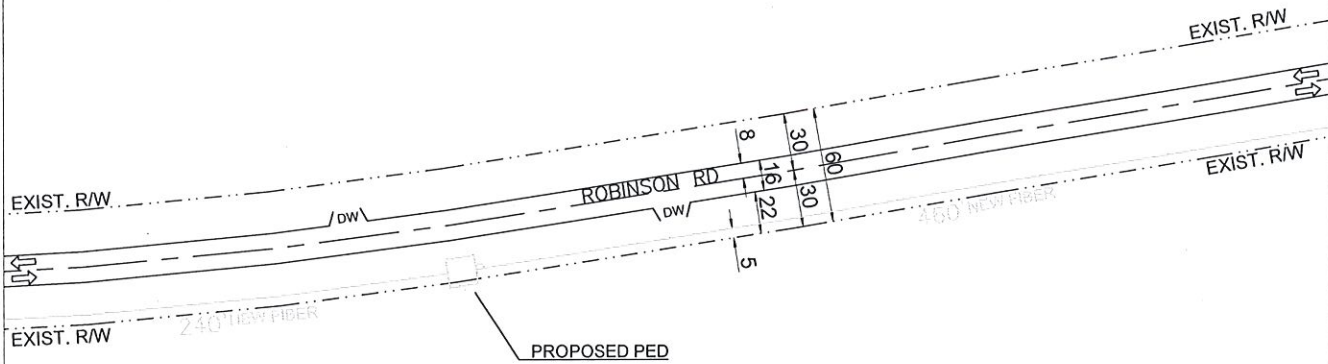
PREPARED BY: 	EXISTING POLE PROPOSED PEDESTAL PROPOSED VAULT WATER VALVE FIBER MARKER GAS MARKER MANHOLE SEWER MANHOLE STORM DRAIN	RIGHT OF WAY LINE IRRIGATION LINE WATER LANE GAS LANE PROPOSED ANCHOR PROPOSED RISER	PROPOSED COAXIAL CABLE PROPOSED FIBER CABLE PROPOSED DIRECTIONAL BORE EXISTING CABLE		ENGINEERED FOR: 	MADISON COUNTY ROBINSON RD TRANSPORT FIBER
	LEGEND: RW - RIGHT OF WAY EOP - EDGE OF PAVEMENT DW - DRIVEWAY PDW - PAVED DRIVEWAY	NOTES: BORE HOLE TO BE FILLED SAME DAY VAULT HOLE TO BE FILLED SAME DAY ALL HOLE TO BE TAMPED AND SODDED	NO SCALE SHEET 27 OF 45			

NO MATCH SHEET

PROPOSED COMCAST UNDERGROUND
 DIRECTIONAL BORE
 4' MINIMUM DEPTH AT ALL POINTS
 1 24CT FIBER CABLE
 NO OTHER BURIED UTILITIES EXIST
 INSTALLATION LENGHT IN RW ON THIS SHEET 700 FT

MATCH SHEET 27

MATCH SHEET 29



NO MATCH SHEET

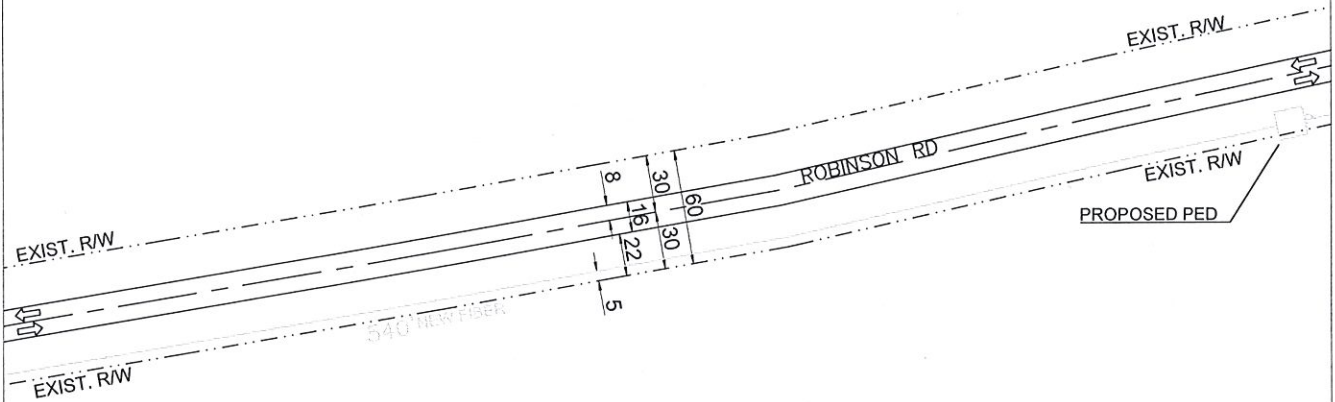
PREPARED BY: 	EXISTING POLE PROPOSED PEDESTAL PROPOSED VAULT WATER VALVE FIBER MARKER GAS MARKER MANHOLE SEWER MANHOLE STORM DRAIN	RIGHT OF WAY LINE IRRIGATION LINE WATER LANE GAS LANE PROPOSED ANCHOR PROPOSED RISER (R) 25	PROPOSED COAXIAL CABLE PROPOSED FIBER CABLE PROPOSED DIRECTIONAL BORE EXISTING CABLE		ENGINEERED FOR: 	MADISON COUNTY ROBINSON RD TRANSPORT FIBER
	LEGEND: RW - RIGHT OF WAY EOP - EDGE OF PAVEMENT DW - DRIVEWAY PDW - PAVED DRIVEWAY	NOTES: BORE HOLE TO BE FILLED SAME DAY VAULT HOLE TO BE FILLED SAME DAY ALL HOLE TO BE TAMPED AND SOCCDED	NO SCALE SHEET 28 OF 45			

NO MATCH SHEET

PROPOSED COMCAST UNDERGROUND
 DIRECTIONAL BORE
 4' MINIMUM DEPTH AT ALL POINTS
 1 24CT FIBER CABLE
 NO OTHER BURIED UTILITIES EXIST
 INSTALLATION LENGHT IN RW ON THIS SHEET 540 FT

MATCH SHEET 28

MATCH SHEET 30



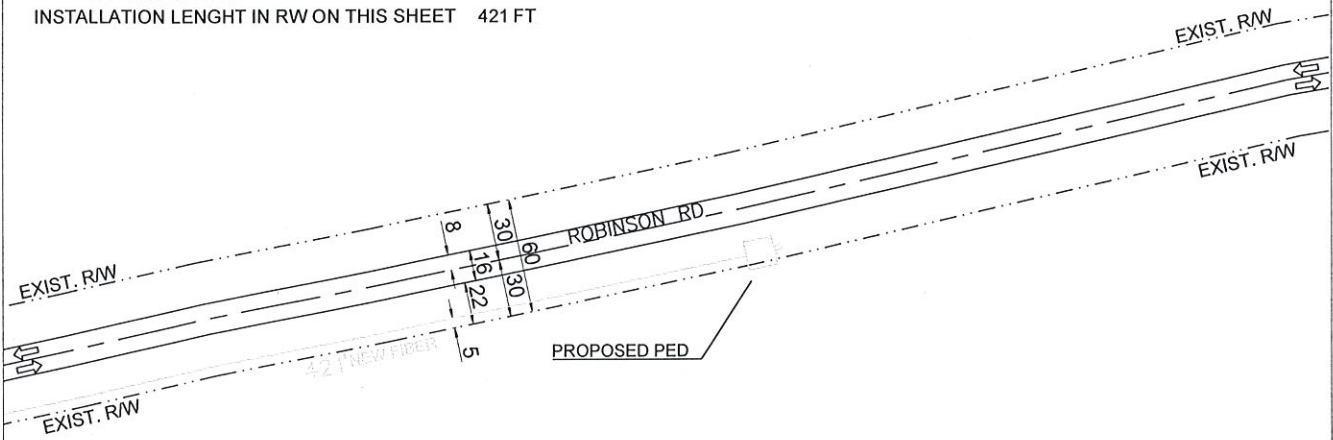
NO MATCH SHEET

PREPARED BY: 	EXISTING POLE PROPOSED PEDESTAL PROPOSED VAULT WATER VALVE FIBER MARKER GAS MARKER MANHOLE SEWER MANHOLE STORM DRAIN	RIGHT OF WAY LINE IRRIGATION LINE WATER LANE GAS LANE PROPOSED ANCHOR PROPOSED RISER LEGEND: RW - RIGHT OF WAY EOP - EDGE OF PAVEMENT DW - DRIVEWAY PDW - PAVED DRIVEWAY	PROPOSED COAXIAL CABLE PROPOSED FIBER CABLE PROPOSED DIRECTIONAL BORE EXISTING CABLE		ENGINEERED FOR: 	MADISON COUNTY ROBINSON RD TRANSPORT FIBER
	NOTES: BORE HOLE TO BE FILLED SAME DAY VAULT HOLE TO BE FILLED SAME DAY ALL HOLE TO BE TAMPED AND SOCCDED			NO SCALE SHEET 29 OF 45		

NO MATCH SHEET

PROPOSED COMCAST UNDERGROUND
 DIRECTIONAL BORE
 4' MINIMUM DEPTH AT ALL POINTS
 1 24CT FIBER CABLE
 NO OTHER BURIED UTILITIES EXIST
 INSTALLATION LENGHT IN RW ON THIS SHEET 421 FT

MATCH SHEET 30



NO MATCH SHEET

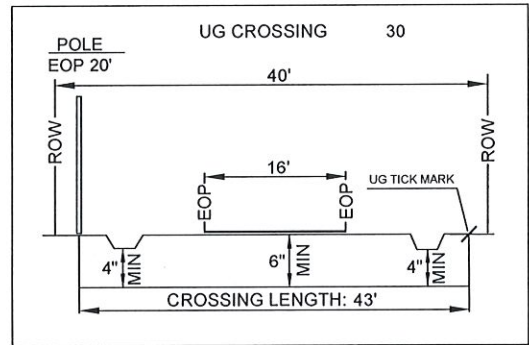
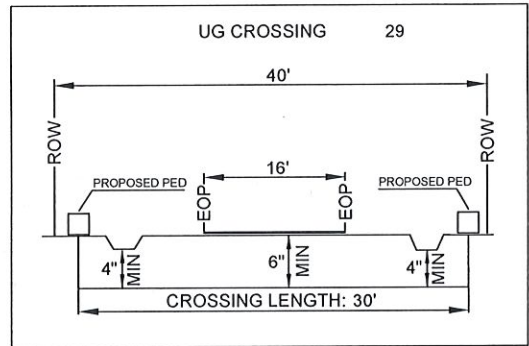
NO MATCH SHEET

PREPARED BY: 	EXISTING POLE PROPOSED PEDESTAL PROPOSED VAULT WATER VALVE FIBER MARKER GAS MARKER MANHOLE SEWER MANHOLE STORM DRAIN	RIGHT OF WAY LINE IRRIGATION LINE WATER LANE GAS LANE PROPOSED ANCHOR PROPOSED RISER	PROPOSED COAXIAL CABLE PROPOSED FIBER CABLE PROPOSED DIRECTIONAL BORE EXISTING CABLE		ENGINEERED FOR: MADISON COUNTY ROBINSON RD TRANSPORT FIBER
	LEGEND: RW - RIGHT OF WAY EOP - EDGE OF PAVEMENT DW - DRIVEWAY POW - PAVED DRIVEWAY	NOTES: BORE HOLE TO BE FILLED SAME DAY VAULT HOLE TO BE FILLED SAME DAY ALL HOLE TO BE TAMPED AND SODDED			NO SCALE SHEET 30 OF 45

MATCH SHEET 17

PROPOSED COMCAST NEW ATTACHMENT
 18' MINIMUM HEIGHT AT ALL POINTS
 1 48CT FIBER CABLE
 PROPOSED COMCAST UNDERGROUND
 DIRECTIONAL BORE
 4' MINIMUM DEPTH AT ALL POINTS
 1 48CT FIBER CABLE
 NO OTHER BURIED UTILITIES EXIST
 INSTALLATION LENGTH IN RW ON THIS SHEET 717 FT

CROSSING 29
 PROPOSED VAULT PED
 PROPOSED VAULT PED



POLE
 EOP 20'
 (R) 25
 CROSSING 30

NO MATCH SHEET

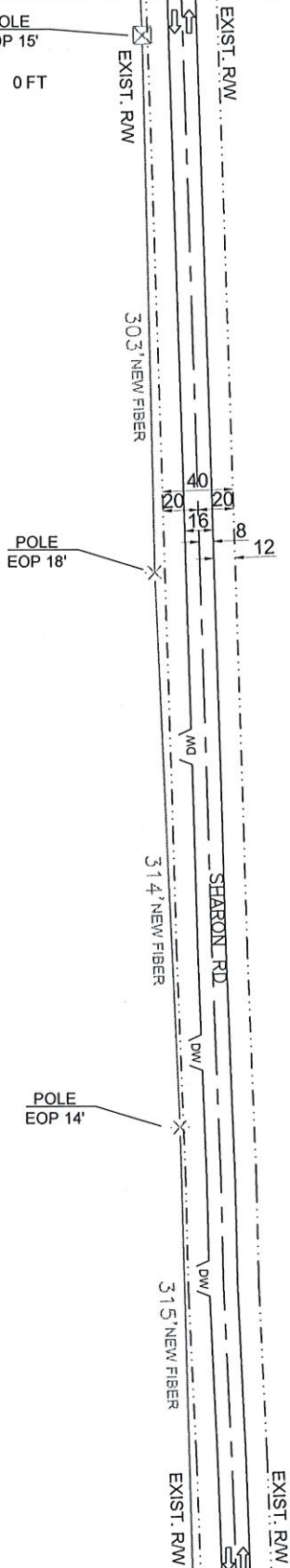
NO MATCH SHEET

MATCH SHEET 32

PREPARED BY: 	EXISTING POLE PROPOSED PEDESTAL PROPOSED VAULT WATER VALVE FIBER MARKER GAS MARKER MANHOLE SEWER MANHOLE STORM DRAIN	RIGHT OF WAY LINE IRRIGATION LINE WATER LANE GAS LANE PROPOSED ANCHOR PROPOSED RISER	PROPOSED COAXIAL CABLE PROPOSED FIBER CABLE PROPOSED DIRECTIONAL BORE EXISTING CABLE		ENGINEERED FOR: MADISON COUNTY SHARON RD TRANSPORT FIBER
	LEGEND: RW - RIGHT OF WAY EOP - EDGE OF PAVEMENT DW - DRIVEWAY PDW - PAVED DRIVEWAY	NOTES: BORE HOLE TO BE FILLED SAME DAY VAULT HOLE TO BE FILLED SAME DAY ALL HOLE TO BE TAMPED AND SOCCDED			NO SCALE SHEET 31 OF 45

MATCH SHEET 31

PROPOSED COMCAST NEW ATTACHMENT
 18' MINIMUM HEIGHT AT ALL POINTS
 1 48CT FIBER CABLE
 INSTALLATION LENGTH IN RW ON THIS SHEET 0 FT



NO MATCH SHEET

NO MATCH SHEET

MATCH SHEET 33

PREPARED BY: 	EXISTING POLE PROPOSED PEDESTAL PROPOSED VAULT WATER VALVE FIBER MARKER GAS MARKER MANHOLE SEWER MAINHOLE STORM DRAIN	RIGHT OF WAY LINE IRRIGATION LINE WATER LANE GAS LANE PROPOSED ANCHOR PROPOSED RISER	PROPOSED COAXIAL CABLE PROPOSED FIBER CABLE PROPOSED DIRECTIONAL BORE EXISTING CABLE		ENGINEERED FOR: 	MADISON COUNTY SHARON RD TRANSPORT FIBER
	LEGEND: RW - RIGHT OF WAY EOP - EDGE OF PAVEMENT DW - DRIVEWAY PDW - PAVED DRIVEWAY	NOTES: BORE HOLE TO BE FILLED SAME DAY VAULT HOLE TO BE FILLED SAME DAY ALL HOLE TO BE TAMPED AND SOCCDED	NO SCALE SHEET 32 OF 45			

MATCH SHEET 32

PROPOSED COMCAST NEW ATTACHMENT
 18' MINIMUM HEIGHT AT ALL POINTS
 1 48CT FIBER CABLE
 INSTALLATION LENGHT IN RW ON THIS SHEET 56 FT

POLE
EOP 17'

219' NEW FIBER

POLE
EOP 20'

205' NEW FIBER

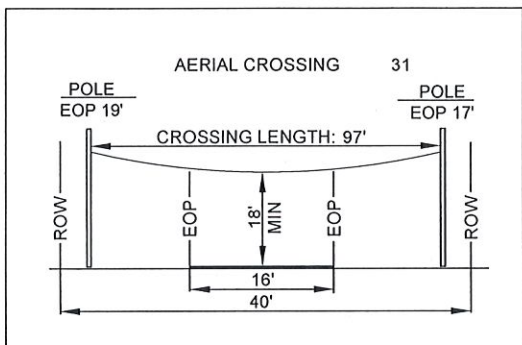
POLE
EOP 19'

CROSSING 31

POLE
EOP 17'

285' NEW FIBER

POLE
EOP 19'



NO MATCH SHEET

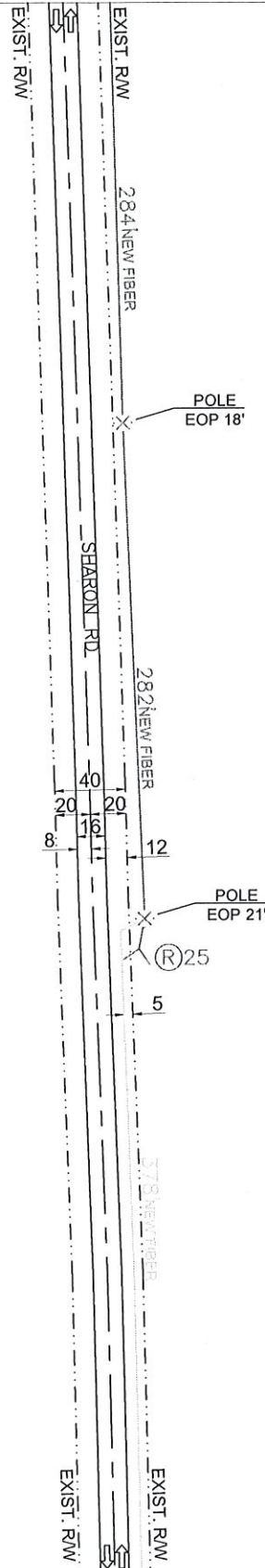
NO MATCH SHEET

MATCH SHEET 34

PREPARED BY: 	EXISTING POLE PROPOSED PEDESTAL PROPOSED VAULT WATER VALVE FIBER MARKER GAS MARKER MANHOLE SEWER MANHOLE STORM DRAIN	RIGHT OF WAY LINE IRRIGATION LINE WATER LANE GAS LANE PROPOSED ANCHOR PROPOSED RISER	PROPOSED COAXIAL CABLE PROPOSED FIBER CABLE PROPOSED DIRECTIONAL BORE EXISTING CABLE		ENGINEERED FOR: 	MADISON COUNTY SHARON RD TRANSPORT FIBER
	LEGEND: RW - RIGHT OF WAY EOP - EDGE OF PAVEMENT DW - DRIVEWAY PDW - PAVED DRIVEWAY	NOTES: BORE HOLE TO BE FILLED SAME DAY VAULT HOLE TO BE FILLED SAME DAY ALL HOLE TO BE TAMPED AND SOCCDED	NO SCALE SHEET 33 OF 45			

MATCH SHEET 33

PROPOSED COMCAST NEW ATTACHMENT
 18' MINIMUM HEIGHT AT ALL POINTS
 1 48CT FIBER CABLE
 PROPOSED COMCAST UNDERGROUND
 DIRECTIONAL BORE
 4' MINIMUM DEPTH AT ALL POINTS
 1 48CT FIBER CABLE
 NO OTHER BURIED UTILITIES EXIST
 INSTALLATION LENGHT IN RW ON THIS SHEET 368 FT



NO MATCH SHEET

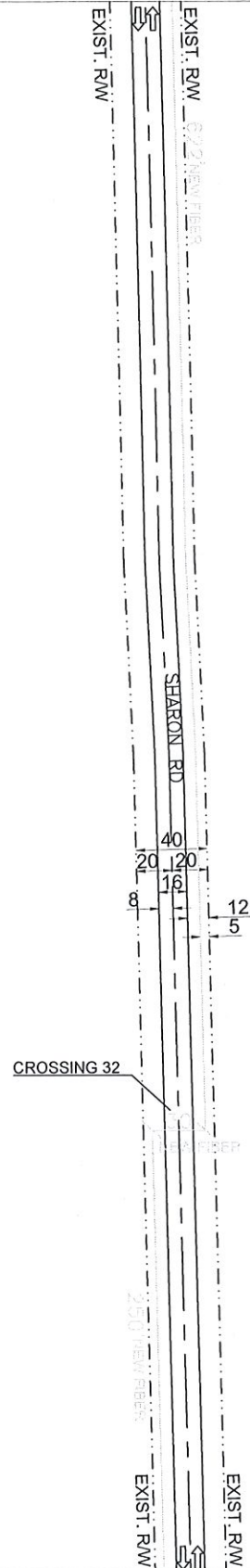
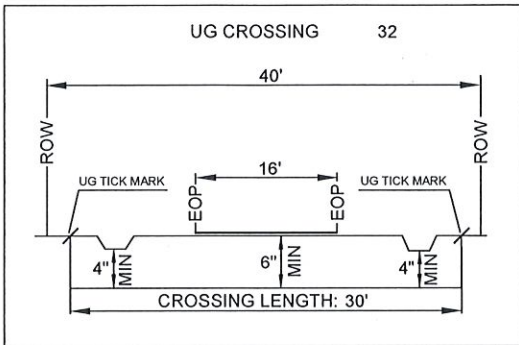
NO MATCH SHEET

MATCH SHEET 35

PREPARED BY: 	EXISTING POLE PROPOSED PEDESTAL PROPOSED VAULT WATER VALVE FIBER MARKER GAS MARKER MANHOLE SEWER MANHOLE STORM DRAIN	RIGHT OF WAY LINE IRRIGATION LINE WATER LANE GAS LANE PROPOSED ANCHOR PROPOSED RISER LEGEND: RW - RIGHT OF WAY EOP - EDGE OF PAVEMENT DW - DRIVEWAY PDW - PAVED DRIVEWAY	PROPOSED COAXIAL CABLE PROPOSED FIBER CABLE PROPOSED DIRECTIONAL BORE EXISTING CABLE		ENGINEERED FOR: 	MADISON COUNTY SHARON RD TRANSPORT FIBER
	NOTES: BORE HOLE TO BE FILLED SAME DAY VAULT HOLE TO BE FILLED SAME DAY ALL HOLE TO BE TAMPED AND SOCCDED			NO SCALE	SHEET 34 OF 45	

MATCH SHEET 34

PROPOSED COMCAST UNDERGROUND
 DIRECTIONAL BORE
 4' MINIMUM DEPTH AT ALL POINTS
 1 48CT FIBER CABLE
 NO OTHER BURIED UTILITIES EXIST
 INSTALLATION LENGTH IN RW ON THIS SHEET 902 FT



NO MATCH SHEET

NO MATCH SHEET

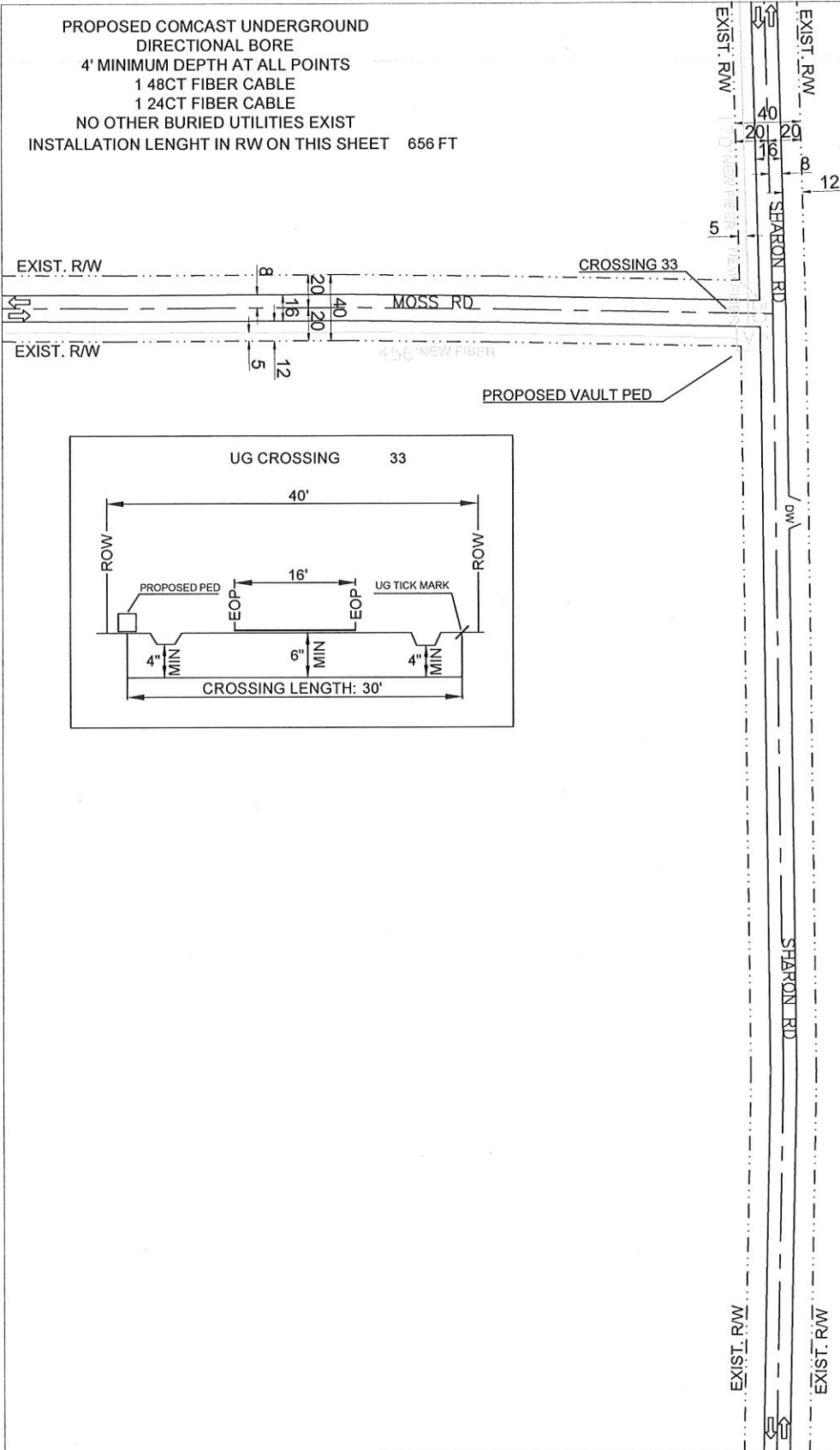
MATCH SHEET 36

PREPARED BY: 	EXISTING POLE PROPOSED PEDESTAL PROPOSED VAULT WATER VALVE FIBER MARKER GAS MARKER MANHOLE SEWER MANHOLE STORM DRAIN	RIGHT OF WAY LINE IRRIGATION LINE WATER LAKE GAS LAKE PROPOSED ANCHOR PROPOSED RISER	PROPOSED COAXIAL CABLE PROPOSED FIBER CABLE PROPOSED DIRECTIONAL BORE EXISTING CABLE		ENGINEERED FOR: 	MADISON COUNTY SHARON RD TRANSPORT FIBER
	LEGEND: RW - RIGHT OF WAY EOP - EDGE OF PAVEMENT DW - DRIVEWAY PDW - PAVED DRIVEWAY	NOTES: BORE HOLE TO BE FILLED SAME DAY VAULT HOLE TO BE FILLED SAME DAY ALL HOLE TO BE TAMPED AND SOCCED	NO SCALE SHEET 35 OF 45			

MATCH SHEET 35

MATCH SHEET 37

PROPOSED COMCAST UNDERGROUND
 DIRECTIONAL BORE
 4' MINIMUM DEPTH AT ALL POINTS
 1 48CT FIBER CABLE
 1 24CT FIBER CABLE
 NO OTHER BURIED UTILITIES EXIST
 INSTALLATION LENGTH IN RW ON THIS SHEET 656 FT



NO MATCH SHEET

NO MATCH SHEET

PREPARED BY: 	EXISTING POLE PROPOSED PEDESTAL PROPOSED VAULT WATER VALVE FIBER MARKER GAS MARKER MANHOLE SEWER MANHOLE STORM DRAIN	RIGHT OF WAY LINE IRRIGATION LINE WATER LANE GAS LANE PROPOSED ANCHOR PROPOSED RISER	PROPOSED COAXIAL CABLE PROPOSED FIBER CABLE PROPOSED DIRECTIONAL BORE EXISTING CABLE		ENGINEERED FOR:	MADISON COUNTY SHARON RD, MOSS RD TRANSPORT FIBER
						NO SCALE SHEET 36 OF 45

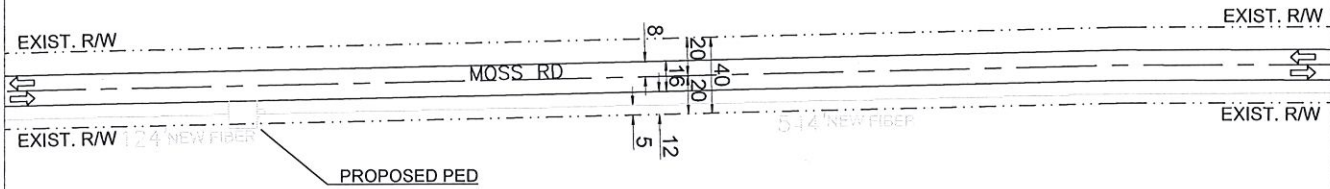
NOTES:
 BORE HOLE TO BE FILLED SAME DAY
 VAULT HOLE TO BE FILLED SAME DAY
 ALL HOLE TO BE TAMPED AND SOCDED

NO MATCH SHEET

PROPOSED COMCAST UNDERGROUND
 DIRECTIONAL BORE
 4' MINIMUM DEPTH AT ALL POINTS
 1 24CT FIBER CABLE
 NO OTHER BURIED UTILITIES EXIST
 INSTALLATION LENGTH IN RW ON THIS SHEET 668 FT

MATCH SHEET 38

MATCH SHEET 36



NO MATCH SHEET

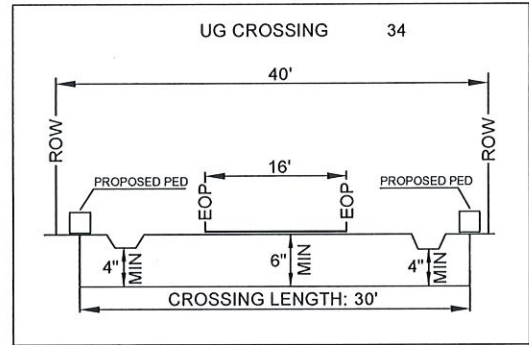
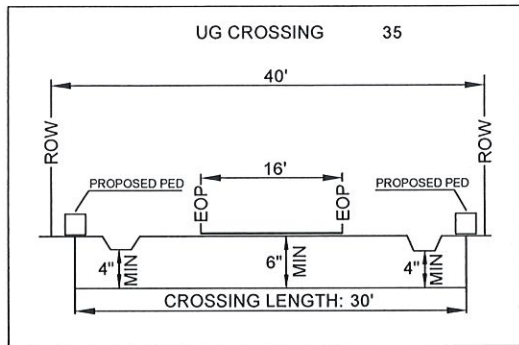
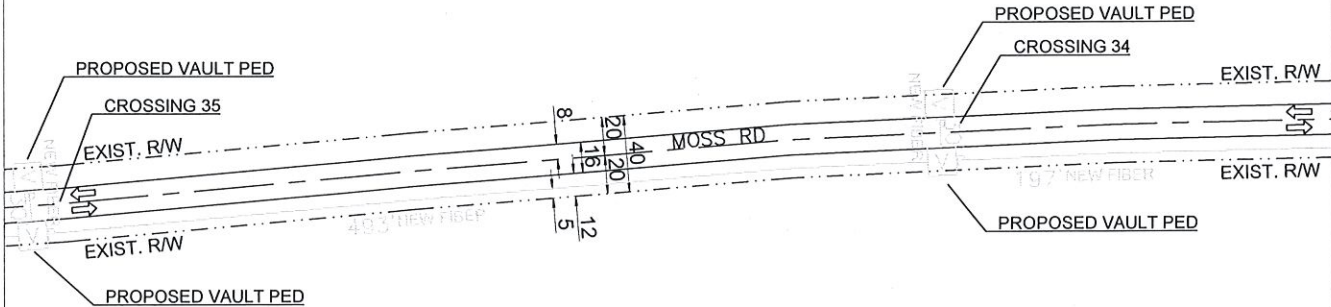
PREPARED BY: 	EXISTING POLE PROPOSED PEDESTAL PROPOSED VAULT WATER VALVE FIBER MARKER GAS MARKER MANHOLE SEWER MANHOLE STORM DRAIN	RIGHT OF WAY LINE IRRIGATION LINE WATER LANE GAS LANE PROPOSED ANCHOR PROPOSED RISER	PROPOSED COAXIAL CABLE PROPOSED FIBER CABLE PROPOSED DIRECTIONAL BORE EXISTING CABLE		ENGINEERED FOR: 	MADISON COUNTY MOSS RD TRANSPORT FIBER
	LEGEND: RW - RIGHT OF WAY EOP - EDGE OF PAVEMENT DW - DRIVEWAY PDW - PAVED DRIVEWAY	NOTES: BORE HOLE TO BE FILLED SAME DAY VAULT HOLE TO BE FILLED SAME DAY ALL HOLE TO BE TAMPED AND SOODED	NO SCALE SHEET 37 OF 45			

NO MATCH SHEET

PROPOSED COMCAST UNDERGROUND
 DIRECTIONAL BORE
 4' MINIMUM DEPTH AT ALL POINTS
 1 24CT FIBER CABLE
 NO OTHER BURIED UTILITIES EXIST
 INSTALLATION LENGTH IN RW ON THIS SHEET 750 FT

MATCH SHEET 39

MATCH SHEET 37



NO MATCH SHEET

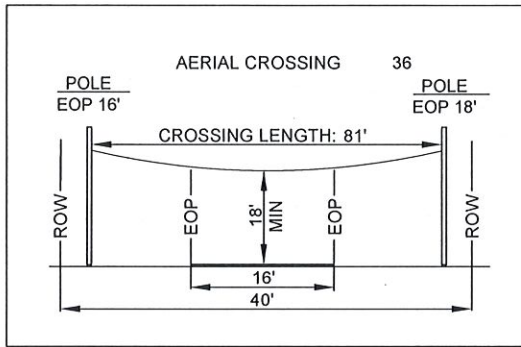
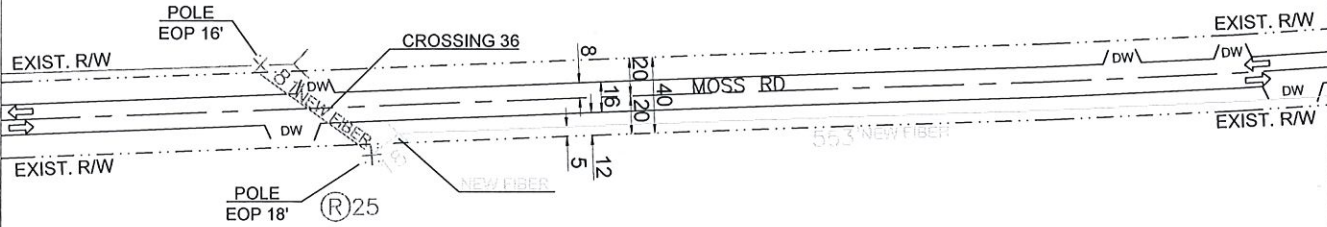
PREPARED BY: 	EXISTING POLE PROPOSED PEDESTAL PROPOSED VAULT WATER VALVE FIBER MARKER GAS MARKER MANHOLE SEWER MAINHOLE STORM DRAIN	RIGHT OF WAY LINE IRRIGATION LINE WATER LANE GAS LANE PROPOSED ANCHOR PROPOSED RISER	PROPOSED COAXIAL CABLE PROPOSED FIBER CABLE PROPOSED DIRECTIONAL BORE EXISTING CABLE		ENGINEERED FOR: 	MADISON COUNTY MOSS RD TRANSPORT FIBER
	LEGEND: RW - RIGHT OF WAY EOP - EDGE OF PAVEMENT DW - DRIVEWAY PDW - PAVED DRIVEWAY	NOTES: BORE HOLE TO BE FILLED SAME DAY VAULT HOLE TO BE FILLED SAME DAY ALL HOLE TO BE TAMPED AND SOCCED	NO SCALE SHEET 38 OF 45			

NO MATCH SHEET

PROPOSED COMCAST NEW ATTACHMENT
 18' MINIMUM HEIGHT AT ALL POINTS
 1 24CT FIBER CABLE
 PROPOSED COMCAST UNDERGROUND
 DIRECTIONAL BORE
 4' MINIMUM DEPTH AT ALL POINTS
 1 24CT FIBER CABLE
 NO OTHER BURIED UTILITIES EXIST
 INSTALLATION LENGTH IN RW ON THIS SHEET 621 FT

MATCH SHEET 40

MATCH SHEET 38



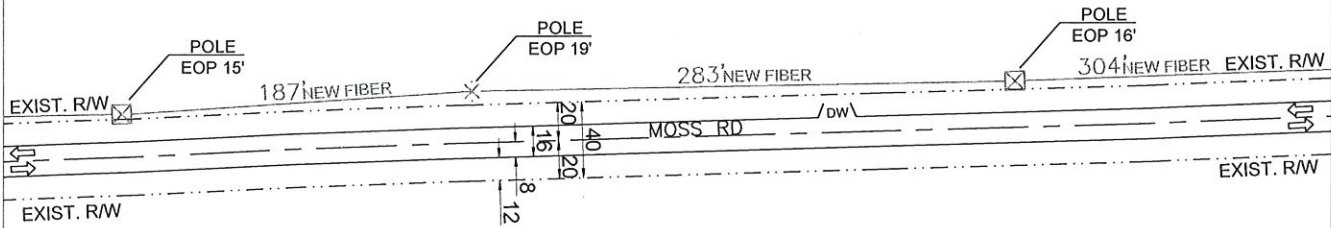
NO MATCH SHEET

PREPARED BY: 	EXISTING POLE PROPOSED PEDESTAL PROPOSED VAULT WATER VALVE FIBER MARKER GAS MARKER MANHOLE SEWER MANHOLE STORM DRAIN	RIGHT OF WAY LINE IRRIGATION LINE WATER LANE GAS LANE PROPOSED ANCHOR PROPOSED RISER R 25	PROPOSED COAXIAL CABLE PROPOSED FIBER CABLE PROPOSED DIRECTIONAL BORE EXISTING CABLE		ENGINEERED FOR: MADISON COUNTY MOSS RD TRANSPORT FIBER		NO SCALE	SHEET 39 OF 45
	NOTES: BORE HOLE TO BE FILLED SAME DAY VAULT HOLE TO BE FILLED SAME DAY ALL HOLE TO BE TAMPED AND SOCCED							

NO MATCH SHEET

PROPOSED COMCAST NEW ATTACHMENT
 18' MINIMUM HEIGHT AT ALL POINTS
 1 24CT FIBER CABLE
 INSTALLATION LENGHT IN RW ON THIS SHEET 0 FT

MATCH SHEET 41



MATCH SHEET 39

NO MATCH SHEET

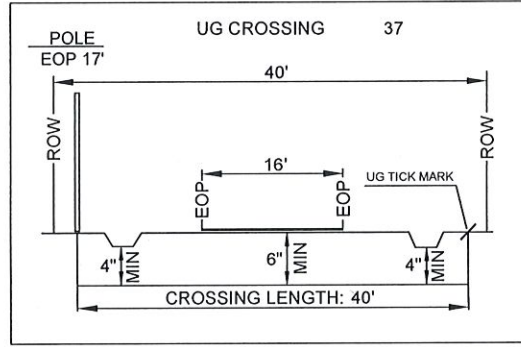
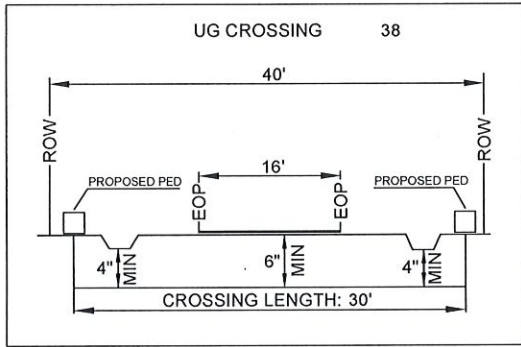
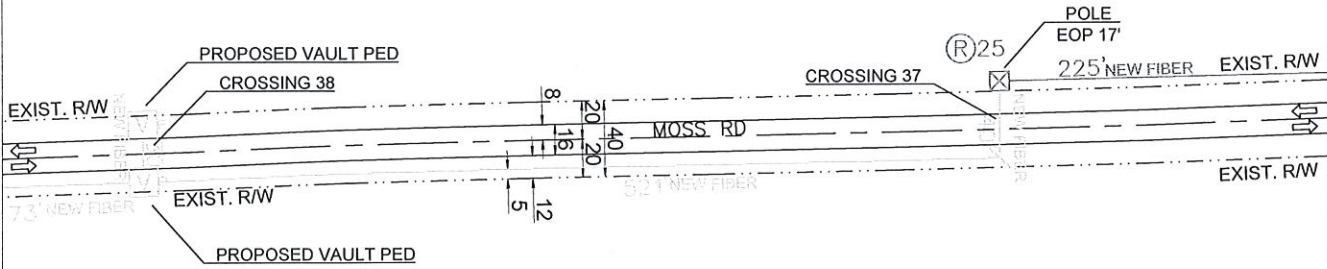
PREPARED BY: 	EXISTING POLE PROPOSED PEDESTAL PROPOSED VAULT WATER VALVE FIBER MARKER GAS MARKER MANHOLE SEWER MANHOLE STORM DRAIN	RIGHT OF WAY LINE IRRIGATION LINE WATER LANE GAS LANE PROPOSED ANCHOR PROPOSED RISER	PROPOSED COAXIAL CABLE PROPOSED FIBER CABLE PROPOSED DIRECTIONAL BORE EXISTING CABLE		ENGINEERED FOR: 	MADISON COUNTY MOSS RD TRANSPORT FIBER
	LEGEND: RW - RIGHT OF WAY EOP - EDGE OF PAVEMENT DW - DRIVEWAY PDW - PAVED DRIVEWAY	NOTES: BORE HOLE TO BE FILLED SAME DAY VAULT HOLE TO BE FILLED SAME DAY ALL HOLE TO BE TAMPED AND SOCCED	NO SCALE SHEET 40 OF 45			

NO MATCH SHEET

PROPOSED COMCAST NEW ATTACHMENT
 18' MINIMUM HEIGHT AT ALL POINTS
 1 24CT FIBER CABLE
 PROPOSED COMCAST UNDERGROUND
 DIRECTIONAL BORE
 4' MINIMUM DEPTH AT ALL POINTS
 1 24CT FIBER CABLE
 NO OTHER BURIED UTILITIES EXIST
 INSTALLATION LENGHT IN RW ON THIS SHEET 659 FT

MATCH SHEET 42

MATCH SHEET 40



NO MATCH SHEET

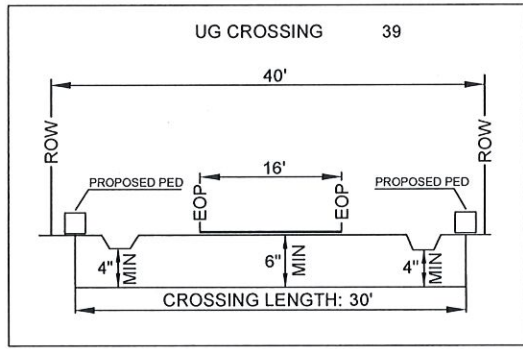
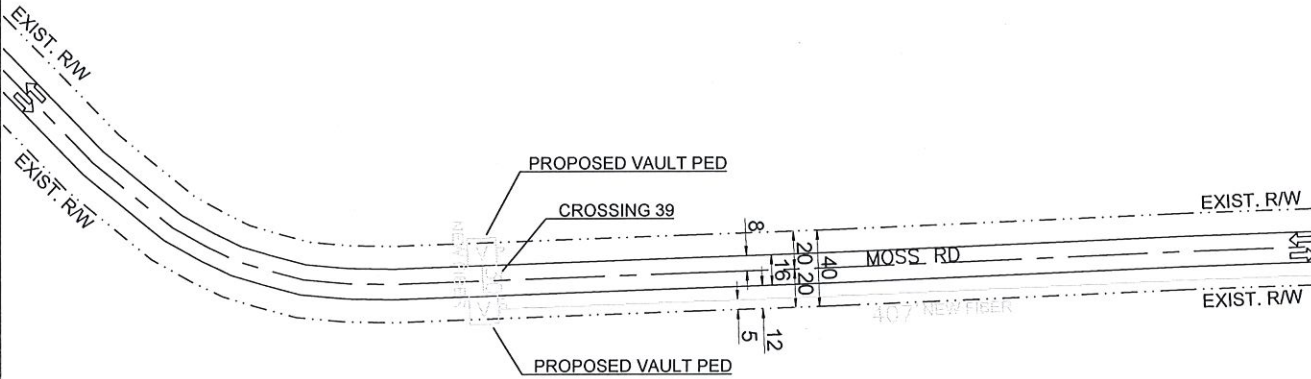
PREPARED BY: 	EXISTING POLE PROPOSED PEDESTAL PROPOSED VAULT WATER VALVE FIBER MARKER GAS MARKER MANHOLE SEWER MANHOLE STORM DRAIN	RIGHT OF WAY LINE IRRIGATION LINE WATER LANE GAS LANE PROPOSED ANCHOR PROPOSED RISER	PROPOSED COAXIAL CABLE PROPOSED FIBER CABLE PROPOSED DIRECTIONAL BORE EXISTING CABLE		ENGINEERED FOR: 	MADISON COUNTY MOSS RD TRANSPORT FIBER
	LEGEND: RW - RIGHT OF WAY EOP - EDGE OF PAVEMENT DW - DRIVEWAY PDW - PAVED DRIVEWAY	NOTES: BORE HOLE TO BE FILLED SAME DAY VAULT HOLE TO BE FILLED SAME DAY ALL HOLE TO BE TAMPED AND SOODED	NO SCALE SHEET 41 OF 45			

NO MATCH SHEET

PROPOSED COMCAST UNDERGROUND
 DIRECTIONAL BORE
 4' MINIMUM DEPTH AT ALL POINTS
 1 48CT FIBER CABLE
 NO OTHER BURIED UTILITIES EXIST
 INSTALLATION LENGTH IN RW ON THIS SHEET 437 FT

NO MATCH SHEET

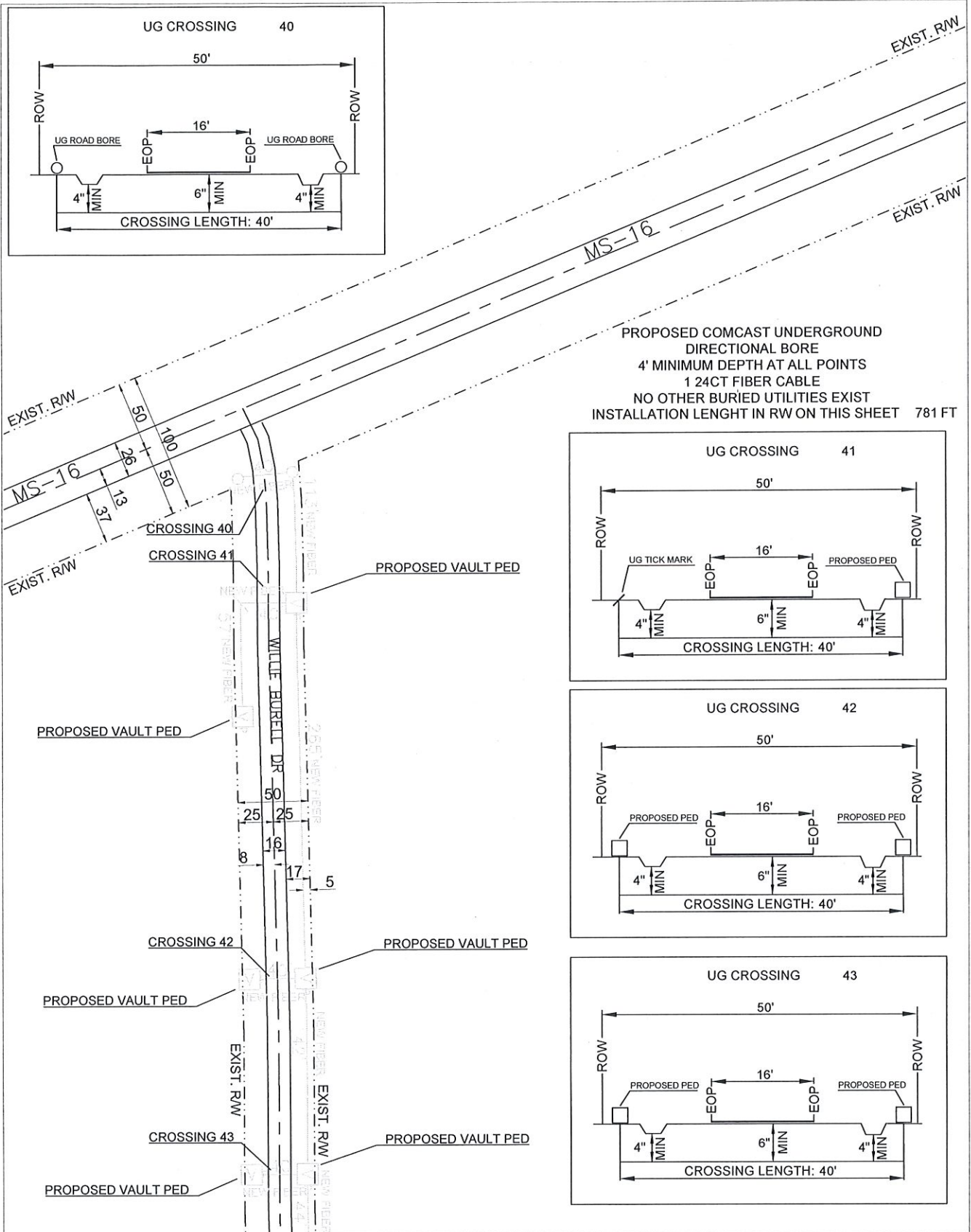
MATCH SHEET 41



NO MATCH SHEET

PREPARED BY: 	EXISTING POLE PROPOSED PEDESTAL PROPOSED VAULT WATER VALVE FIBER MARKER GAS MARKER MANHOLE SEWER MANHOLE STORM DRAIN	RIGHT OF WAY LINE IRRIGATION LINE WATER LANE GAS LANE PROPOSED ANCHOR PROPOSED RISER	PROPOSED COAXIAL CABLE PROPOSED FIBER CABLE PROPOSED DIRECTIONAL BORE EXISTING CABLE		ENGINEERED FOR: 	MADISON COUNTY MOSS RD TRANSPORT FIBER
	LEGEND: RW - RIGHT OF WAY EOP - EDGE OF PAVEMENT DW - DRIVEWAY PDW - PAVED DRIVEWAY	NOTES: BORE HOLE TO BE FILLED SAME DAY VAULT HOLE TO BE FILLED SAME DAY ALL HOLE TO BE TAMPED AND SOODED	NO SCALE SHEET 42 OF 45			

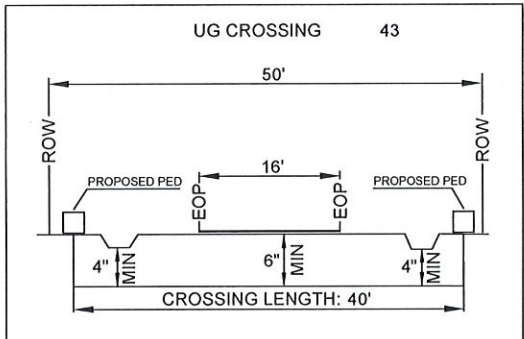
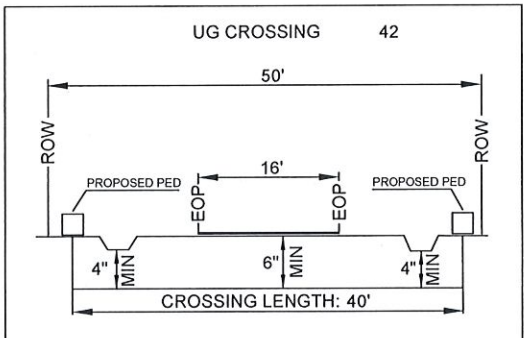
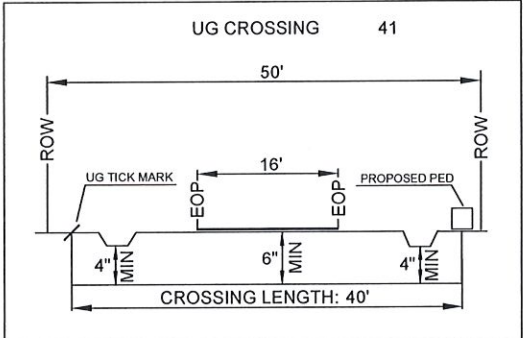
NO MATCH SHEET



NO MATCH SHEET

NO MATCH SHEET

PROPOSED COMCAST UNDERGROUND
DIRECTIONAL BORE
4' MINIMUM DEPTH AT ALL POINTS
1 24CT FIBER CABLE
NO OTHER BURIED UTILITIES EXIST
INSTALLATION LENGTH IN RW ON THIS SHEET 781 FT



MATCH SHEET 44

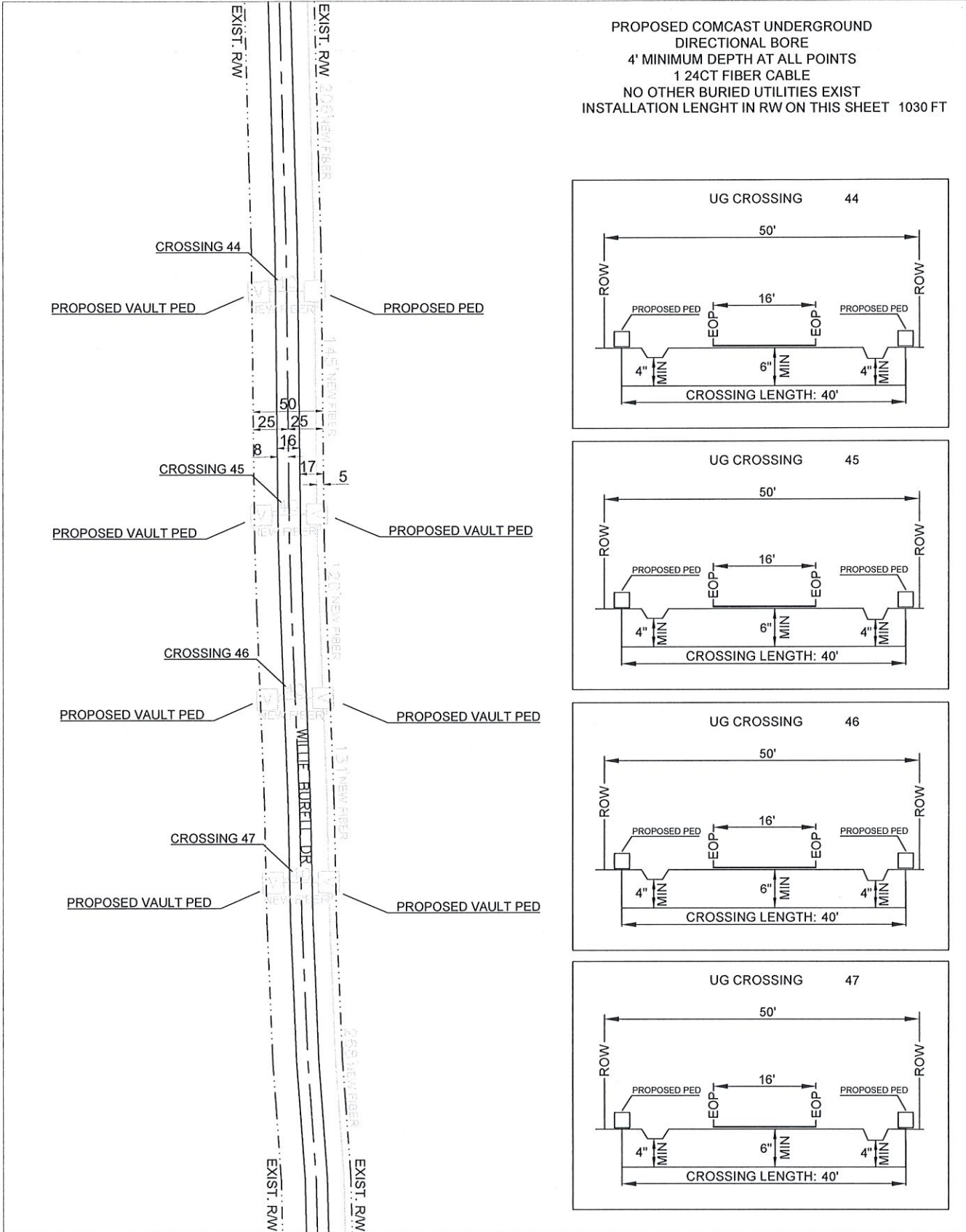
<p>PREPARED BY:</p> <p>QUASAR, INC.</p>	<p>EXISTING POLE</p> <p>PROPOSED PEDESTAL</p> <p>PROPOSED VAULT</p> <p>WATER VALVE</p> <p>FIBER MARKER</p> <p>GAS MARKER</p> <p>MANHOLE</p> <p>SEWER MANHOLE</p> <p>STORM DRAIN</p>	<p>RIGHT OF WAY LINE</p> <p>IRRIGATION LINE</p> <p>WATER LANE</p> <p>GAS LANE</p> <p>PROPOSED ANCHOR</p> <p>PROPOSED RISER</p>	<p>PROPOSED COAXIAL CABLE</p> <p>PROPOSED FIBER CABLE</p> <p>PROPOSED DIRECTIONAL BORE</p> <p>EXISTING CABLE</p>		<p>ENGINEERED FOR:</p> <p>MADISON COUNTY</p> <p>WILLIE BURELL DR</p> <p>TRANSPORT FIBER</p>
	<p>LEGEND:</p> <p>RW - RIGHT OF WAY</p> <p>EOP - EDGE OF PAVEMENT</p> <p>ODW - DRIVEWAY</p> <p>PDW - PAVED DRIVEWAY</p>	<p>NOTES:</p> <p>BORE HOLE TO BE FILLED SAME DAY</p> <p>VAULT HOLE TO BE FILLED SAME DAY</p> <p>ALL HOLE TO BE TAMPED AND SOODED</p>			<p>1/8" SCALE</p> <p>SHEET 43 OF 45</p>

MATCH SHEET 43

PROPOSED COMCAST UNDERGROUND
 DIRECTIONAL BORE
 4' MINIMUM DEPTH AT ALL POINTS
 1 24CT FIBER CABLE
 NO OTHER BURIED UTILITIES EXIST
 INSTALLATION LENGTH IN RW ON THIS SHEET 1030 FT

NO MATCH SHEET

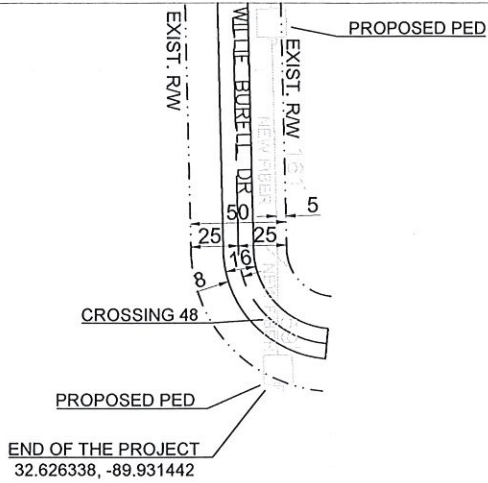
NO MATCH SHEET



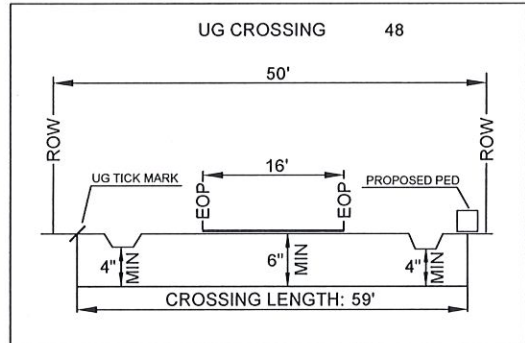
MATCH SHEET 45

PREPARED BY: 	EXISTING POLE PROPOSED PEDESTAL PROPOSED VAULT WATER VALVE FIBER MARKER GAS MARKER MANHOLE SEWER MANHOLE STORM DRAIN	RIGHT OF WAY LINE IRRIGATION LINE WATER LANE GAS LANE PROPOSED ANCHOR PROPOSED RISER	PROPOSED COAXIAL CABLE PROPOSED FIBER CABLE PROPOSED DIRECTIONAL BORE EXISTING CABLE		ENGINEERED FOR: 	MADISON COUNTY WILLIE BURELL DR TRANSPORT FIBER
	LEGEND: RW - RIGHT OF WAY EOP - EDGE OF PAVEMENT DW - DRIVEWAY PDW - PAVED DRIVEWAY	NOTES: BORE HOLE TO BE FILLED SAME DAY VAULT HOLE TO BE FILLED SAME DAY ALL HOLE TO BE TAMPED AND SOCCDED	NO SCALE SHEET 44 OF 45			

MATCH SHEET 44



PROPOSED COMCAST UNDERGROUND
 DIRECTIONAL BORE
 4' MINIMUM DEPTH AT ALL POINTS
 1 24CT FIBER CABLE
 NO OTHER BURIED UTILITIES EXIST
 INSTALLATION LENGTH IN RW ON THIS SHEET 220 FT
 TOTAL INSTALLATION LENGTH 28 464 FT
 AERIAL: 576 FT
 UG: 27 888 FT
 START: 32.645609, -89.935625
 END: 32.626338, -89.931442



NO MATCH SHEET

NO MATCH SHEET

NO MATCH SHEET

PREPARED BY: 	EXISTING POLE PROPOSED PEDESTAL PROPOSED VAULT WATER VALVE FIBER MARKER GAS MARKER MANHOLE SEWER MANHOLE STORM DRAIN	RIGHT OF WAY LINE IRRIGATION LINE WATER LANE GAS LANE PROPOSED ANCHOR PROPOSED RISER	PROPOSED COAXIAL CABLE PROPOSED FIBER CABLE PROPOSED DIRECTIONAL BORE EXISTING CABLE		ENGINEERED FOR: MADISON COUNTY WILLIE BURELL DR TRANSPORT FIBER		NO SCALE	SHEET 45 OF 45
	LEGEND: RW - RIGHT OF WAY EOP - EDGE OF PAVEMENT DW - DRIVEWAY PDW - PAVED DRIVEWAY	NOTES: BORE HOLE TO BE FILLED SAME DAY VAULT HOLE TO BE FILLED SAME DAY ALL HOLE TO BE TAMPED AND SODDED						